

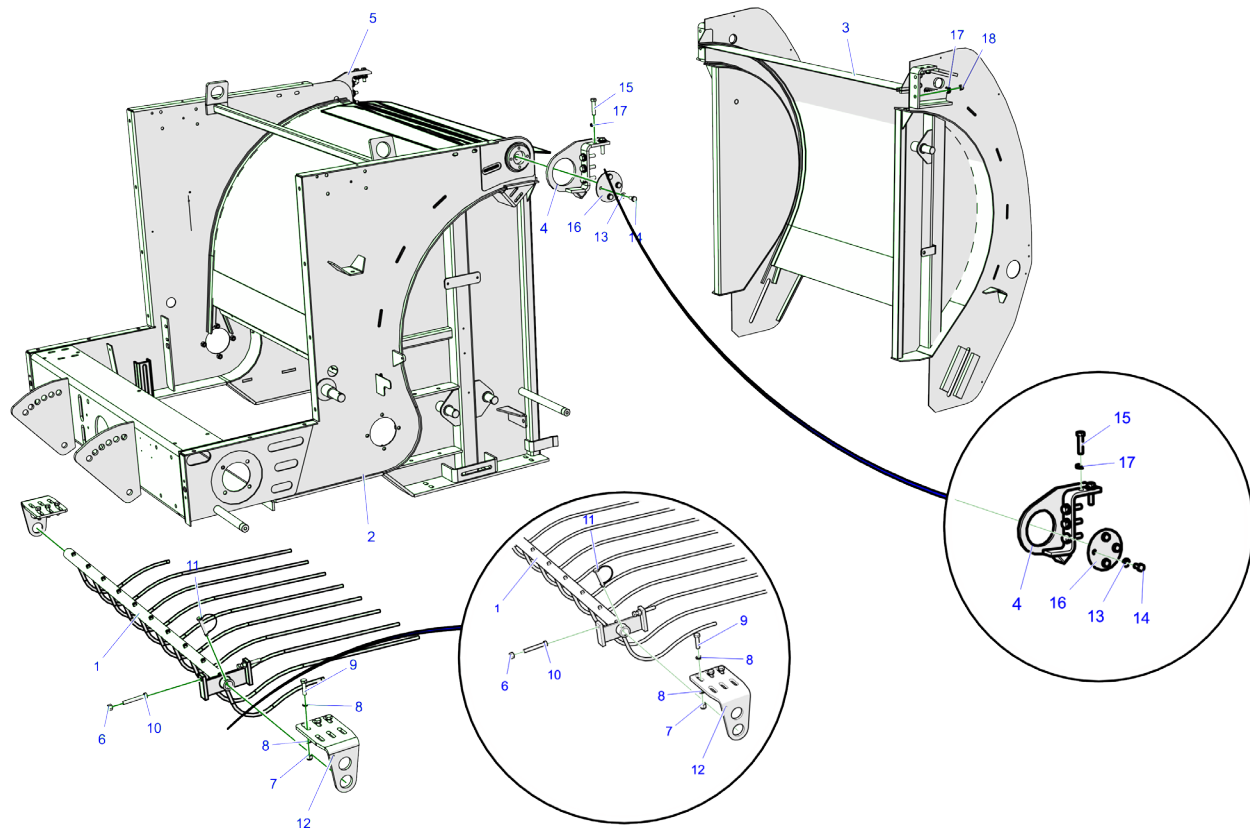




## TABLE OF CONTENTS

1.	BALER BODY & SWATH PRESS	4	18.	PICKUP AXLE & SCREW CONVEYORS	40
2.	TOWBAR	6	19.	PICKUP CLUTCH AND DRIVE AXIS	42
3.	SUPPORT FOOT	8	20.	LAND FOLLOW WHEEL, LEFT-HAND	44
4.	MAIN GEARBOX	10	21.	LAND FOLLOW WHEEL, RIGHT-HAND	46
5.	GEARBOXES AND CHAIN & BAR CONVEYOR ENGAGEMENT CLUTCH	12	22.	CORD STORAGE BOX, Z587 090.100.00	48
6.	CHAIN AND BAR CONVEYOR DRIVE SHAFT	16	23.	CORD WRAPPER, FRONT	50
7.	CHAIN AND BAR CONVEYOR TENSIONER	18	24.	CORD WRAPPER, REAR	54
8.	BODY	20	25.	NET WRAPPER BODY	56
9.	MOVING BOTTOM GEARBOX, LEFT-HAND SIDE	22	26.	NET CUTTING ASSEMBLY	58
10.	MOVING BOTTOM GEARBOX, RIGHT-HAND SIDE	24	27.	NET FEEDING ASSEMBLY	62
11.	COLLECTOR ASSEMBLY	26	28.	HYDRAULIC SYSTEM	64
12.	MOVING FLOOR SHAFT, FRONT	28	29.	CENTRAL LUBRICATION SYSTEM	68
13.	MOVING FLOOR SHAFT, REAR	30	30.	LAMPS	70
14.	DRIVING AXLE & BALE EJECTOR	32	31.	GUARD, LEFT-HAND	72
15.	PICKUP BODY	34	32.	GUARD, RIGHT-HAND	74
16.	PICKUP GEARBOX, LEFT-HAND SIDE	36	33.	FRONT GUARDS	76
17.	PICKUP GEARBOX, RIGHT-HAND SIDE	38	34.	REAR GUARDS	78

## 1. BALER BODY & SWATH PRESS

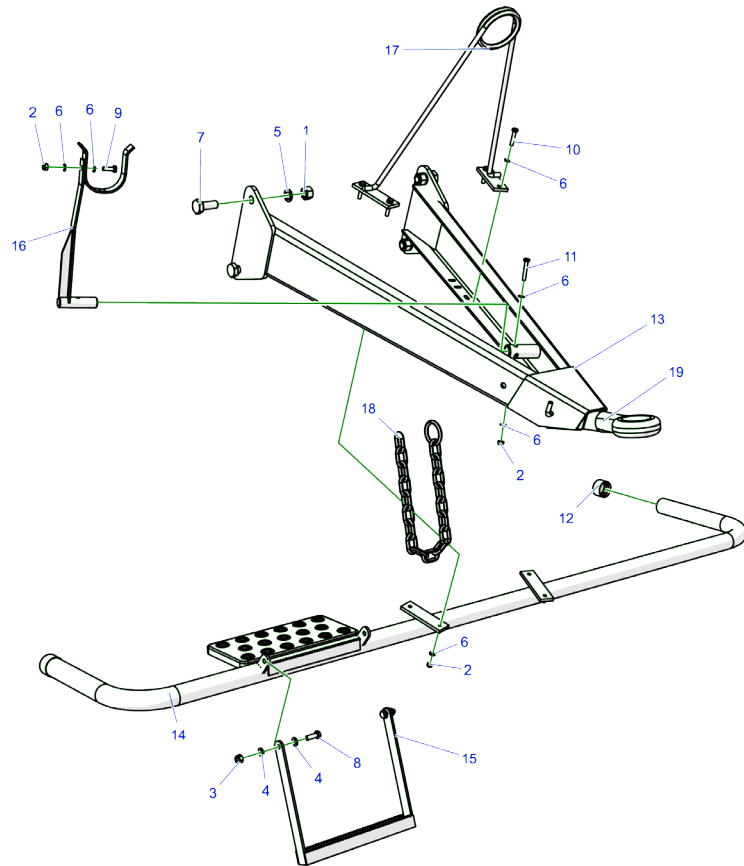




Ref.	Index/Name	Description	Qty
1	Z587 120.210.00	Pressure clamp, welded	1
2	Z587 020.210.00	Front body, welded	1
3	Z587 010.210.00	Rear body	1
4	Z587 010.340.00	Hinge, left-hand	1
5	Z587 010.330.00	Hinge, right-hand	1
6	23N12GALV	Nut, M12 galv. 82144 5	2
7	23NS12GALV	Self-locking nut M12 galv. 82175 8	6
8	23P12GALV	Round washer, 12 galv. 82005	12
9	23S12-45 8.8 OC	Bolt, 12 x 45 galv. 82101 82101	6

Ref.	Index/Name	Description	Qty
10	23S12-80GALV. 8.8	Bolt, 12 x 80 galv. 82101	2
11	POD-ELZ-000543	Tube pin, 10x60 A-9.8 C-70	1
12	Z587 120.010.01	Pressure clamp bracket	2
13	23P10 82005	Round washer, 10 galv. 82005	4
14	23S10-20GALV. 8.8	Bolt, 10 x 20 galv. 82105 82105	8
15	POD-ELZ-000519	Bolt 12x50, galv. 82101 10.9	10
16	Z587 020.041.00	Hinge flange	2
17	Z587 000.012.00	Washer	20
18	23NS12GALV	Self-locking nut M12 galv. 82175 8	10

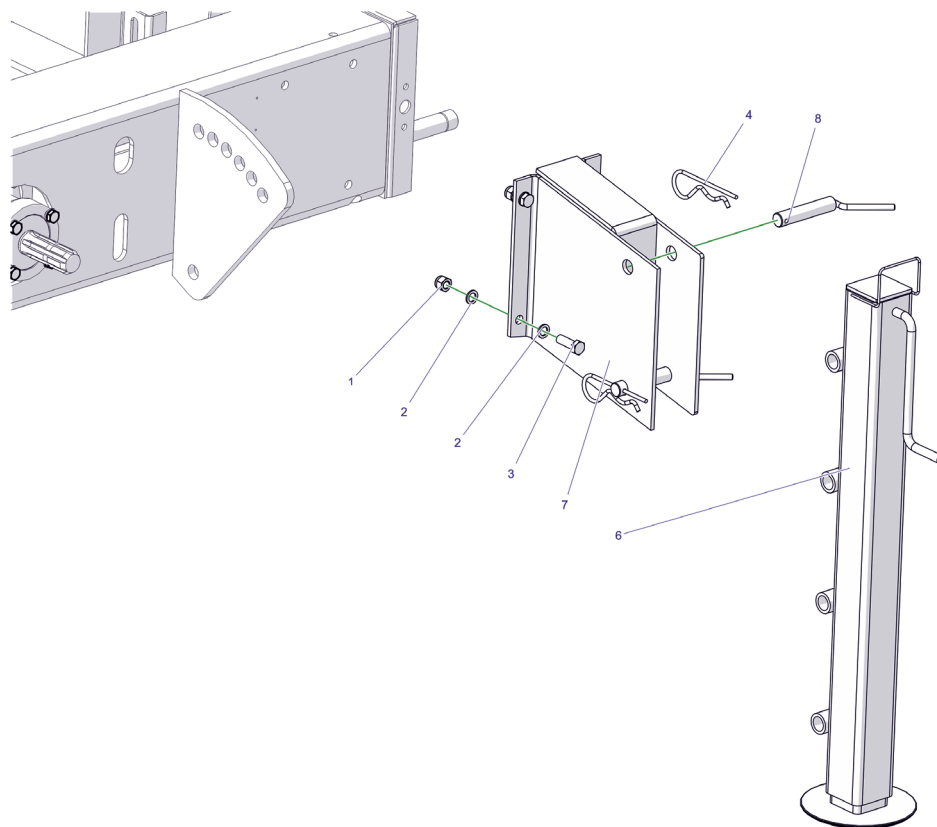
## 2. TOWBAR



Ref.	Index/Name	Description	Qty
1	23N M20 KL.8 DIN934OC	Nut, M20, class 8 galv. DIN 934 8	4
2	23NS8GALV	Self-locking nut M8 galv. 82175 8	6
3	23NS10GALV	Self-locking nut M10 galv. 82175 8	2
4	23P10 82005	Round washer, 10 galv. 82005	4
5	23P20SP	Spring washer, 20.5 galv. 82008	4
6	23P80GALV	Round washer, 8 galv. 82005	12
7	23S M20-2-50	Bolt, 20x2x50, galv. 8.8 82105	4
8	23S10-30 8.8	Bolt, 10x30, BS	2
9	23S8-25OC8.8	Bolt, 8 x 25 galv. 82105	1
10	23S8-40GALV. 8.8	Bolt, 8 x 40 galv. 82105	4

Ref.	Index/Name	Description	Qty
11	23S8-500C	Bolt, 8 x 50 galv. 82101	1
12	POD-TSZ-000136	Plug, 48.3 mm, yellow 10295	2
13	Z562 002.000.000R	Front hitch	1
14	Z562 000.003.000R	Step pipe	1
15	Z562 000.003.500	Step II	1
16	Z562 002.010.000	PTO holder	1
17	Z562 000.217.000	Hydraulic line bracket	1
18	Z562 002.600.000	Chain, set Z-562 002.600.000	1
19	25UC	Z-562 hitch	1
19	25UC	Сцепка Z-562	1

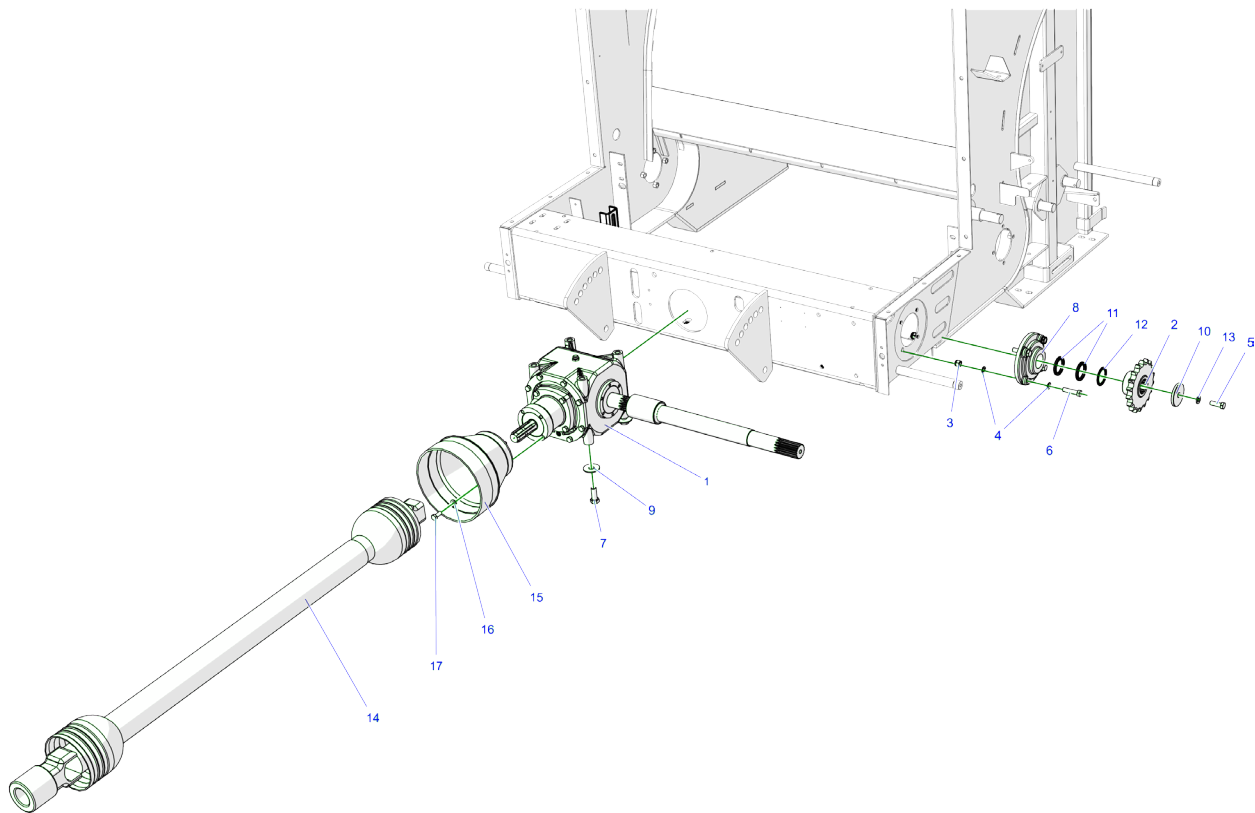
### 3. SUPPORT FOOT





Ref.	Index/Name	Description	Qty
1	23NS12GALV	Self-locking nut M12 galv. 82175 8	4
2	23P12GALV	Round washer, 12 galv. 82005	8
3	23S12-35GALV. 8.8	Bolt, 12 x 35 galv. 82105	4
4	23ZSP5	Double spring cotter pin, 5mm galv. (R double)	2
5	POD-OGL-000566	Support foot	1
6	Z587 080.210.00	Foot	1
7	Z562 000.211.000	Foot support	1
8	Z562 000.212.000	Foot pin, set	2

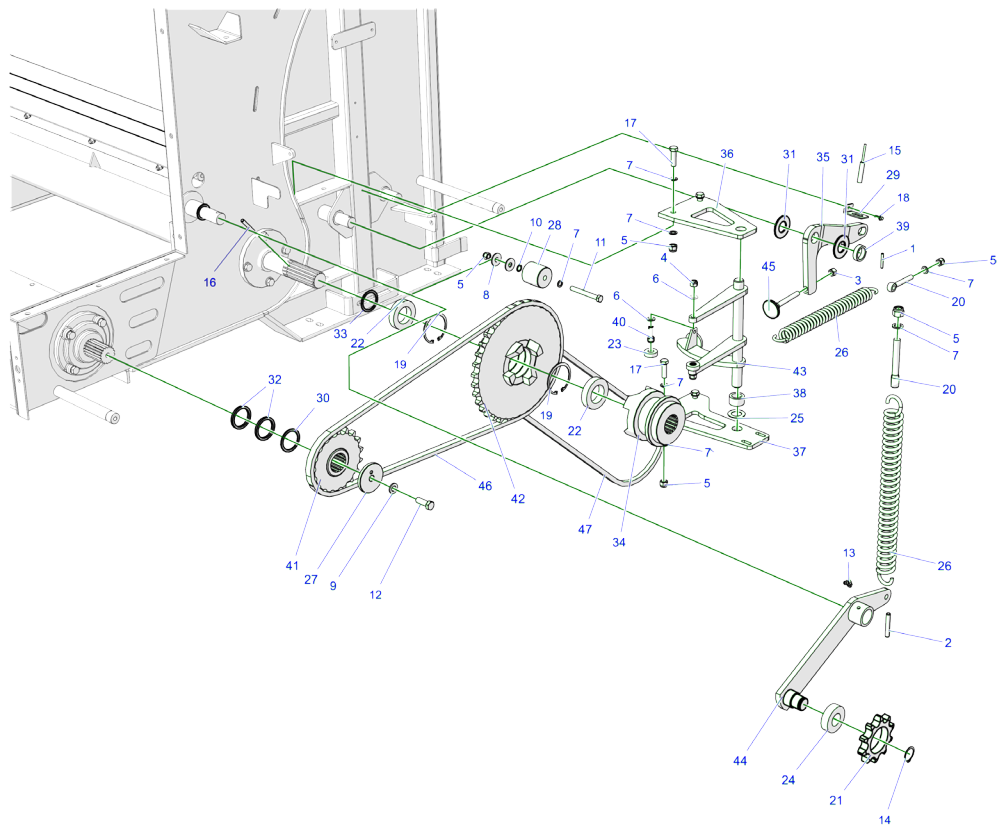
## 4. MAIN GEARBOX



No.	Index/Name	Description	Quantity
1	POD-WPS-000150	Gearbox, MB06.03	1
2	Z587 050.220.00	Gear, Z18-16B, set. POD-EOS-000389	1
3	23NS12 OC	Self-locking nut M12 galv. 82175 8	4
4	23P12 OC	Round washer, 12 galv. 82005	8
5	23S12-350C 8.8	Bolt, 12x35 galv. 82105	1
6	23S12-500C 8.8	Bolt, 12x50 galv. 82101	4
7	23S16-40 8.80C	Bolt, 16x40 galv. 82105	4
8	25L209UCFC	Bearing assy, UCFC209	1
9	POD-ELZ-000384	Round washer, 16 galv. coat. 82030	4

No.	Index/Name	Description	Quantity
10	Z562 000.000.069	Washer I	1
11	Z587 000.013.00	Washer	2
12	Z587 000.008.00	Washer	1
13	23P12SP	Spring washer, 12 galv. 82008	1
14	POD-WPS-000107	Drive shaft	1
15	250W	Shaft guard	1
16	23P10 82005	Round washer, 10 galv. 82005	4
17	23S10-250C 8.8	Bolt, 10x25 galv. 82105	4
17	23S10-250C 8,8	Винт 10x25 оцинк. 82105	4

## 5. GEARBOXES AND CHAIN & BAR CONVEYOR ENGAGEMENT CLUTCH

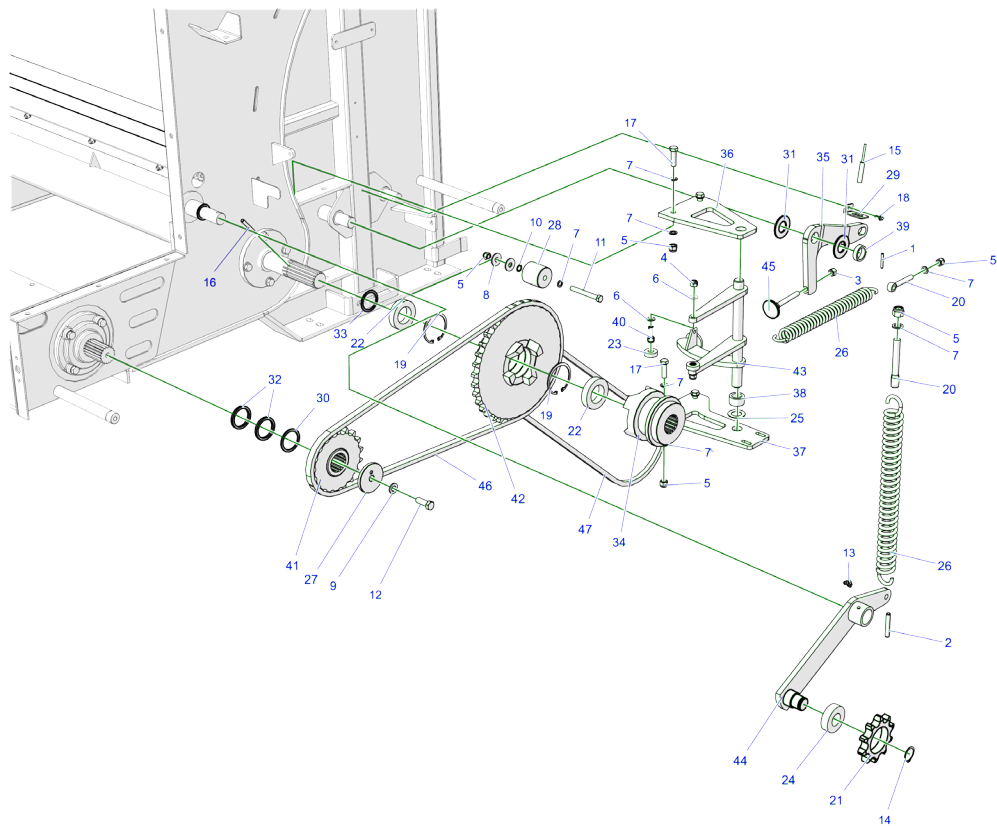




No.	Index/Name	Description	Quantity
1	23K6-40	Spring pin, 6x40 DIN 1481	1
2	23K8-50	Spring pin, 8x50 DIN 1481	1
3	23N12	Nut, M12	1
4	23NS10 OC	Self-locking nut M10 galv. 82175 8	2
5	23NS12 OC	Self-locking nut M12 galv. 82175 8	7
6	23P10 82005	Round washer, 10 galv. 82005	4
7	23P12 OC	Round washer, 12 galv. 82005	11
8	23P120 OC	Round washer, 12 galv. coat. 82030	2
9	23P12SP	Spring washer, 12 galv. 82008	1
10	23PW12.30C	Spring washer, fanned, I/O M12 galv. DIN6798DD	1
11	23S12-100 8.8	Bolt, 12x100, BS 82105	1
12	23S12-350C 8.8	Bolt, 12x35 galv. 82105	1
13	23M6KAT45	Grease nipple, M6x1.0, 45 deg. angle	1
14	23SZ25	Seeger ring Z25	1
15	POD-ELK-000215	Z593 counter induction sensor	1
16	POD-ELZ -000009-1	Spring pin, 8x60	1
17	POD-ELZ-000421	Bolt, 12x40 galv. 10.9 82105	4

No.	Index/Name	Description	Quantity
18	POD-ELZ-000513	Self-tap screw, 6x16 galv. DIN 7500D - hex	1
19	POD-ELZ-000517	Seeger ring, W75	2
20	POD-ELZ-000546	Eye bolt, 12x70 DIN444 LB galv.	2
21	POD-EOS-000331	Chain wheel, Z=10-1	1
22	POD-LOZ-000139	Bearing, 6009 2RS	2
23	POD-LOZ-000167	Bearing, 6002 2RS	2
24	POD-LOZ-000168	Bearing, 6205 2RS	1
25	POD-LOZ-000223	Washer, GTM-2644-015 [26x44x1.5]	1
26	POD-SPR-000063	Spring, maz-6528 galv.	2
27	Z562 000.000.069	Washer I	1
28	Z562 000.000.208	Slide III	1
29	Z587 000.001.00	Sensor bracket	1
30	Z587 000.008.00	Washer	1
31	Z587 000.009.00	Washer, 30x61.5x3	2
32	Z587 000.013.00	Washer	2
33	Z587 000.015.00	Washer, 45x55x1	1

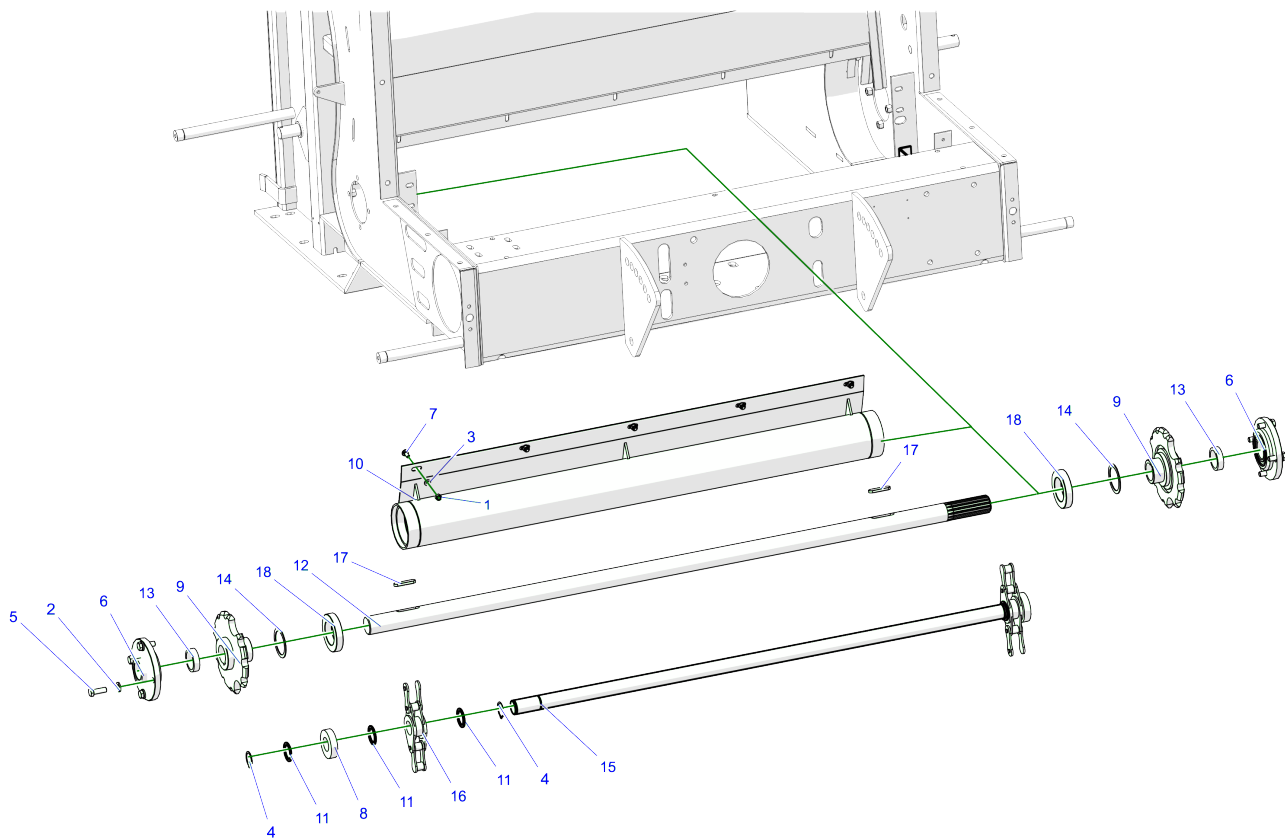
## 5. GEARBOXES AND CHAIN & BAR CONVEYOR ENGAGEMENT CLUTCH



No.	Index/Name	Description	Quantity
34	Z587 050.011.01	Jaw clutch, 2 POD-EOS-000388	1
35	Z587 050.024.02	Lever	1
36	Z587 050.026.01	Top bracket	1
37	Z587 050.027.01	Bottom bracket	1
38	Z587 050.042.00	Adjustment bush	1
39	Z587 050.043.00	Spacer bush	1
40	Z587 050.046.00	Bearing retraction screw	2
41	Z587 050.220.00	Gear, Z18-16B, set. POD-EOS-000389	1

No.	Index/Name	Description	Quantity
42	Z587 050.240.00	Double gear, Z22-Z35-16b POD-EOS-000390	1
43	Z587 050.290.01	Clutch lever	1
44	Z587 050.300.00	Tensioner	1
45	Z587 050.310.00	Clutch adjuster	1
46	Chain, 6 POD-LAN-000099	16B1 74 links + straight coupling	1
47	Chain, 6 POD-LAN-000099	16B1 74 links + straight coupling	1

## 6. CHAIN AND BAR CONVEYOR DRIVE SHAFT

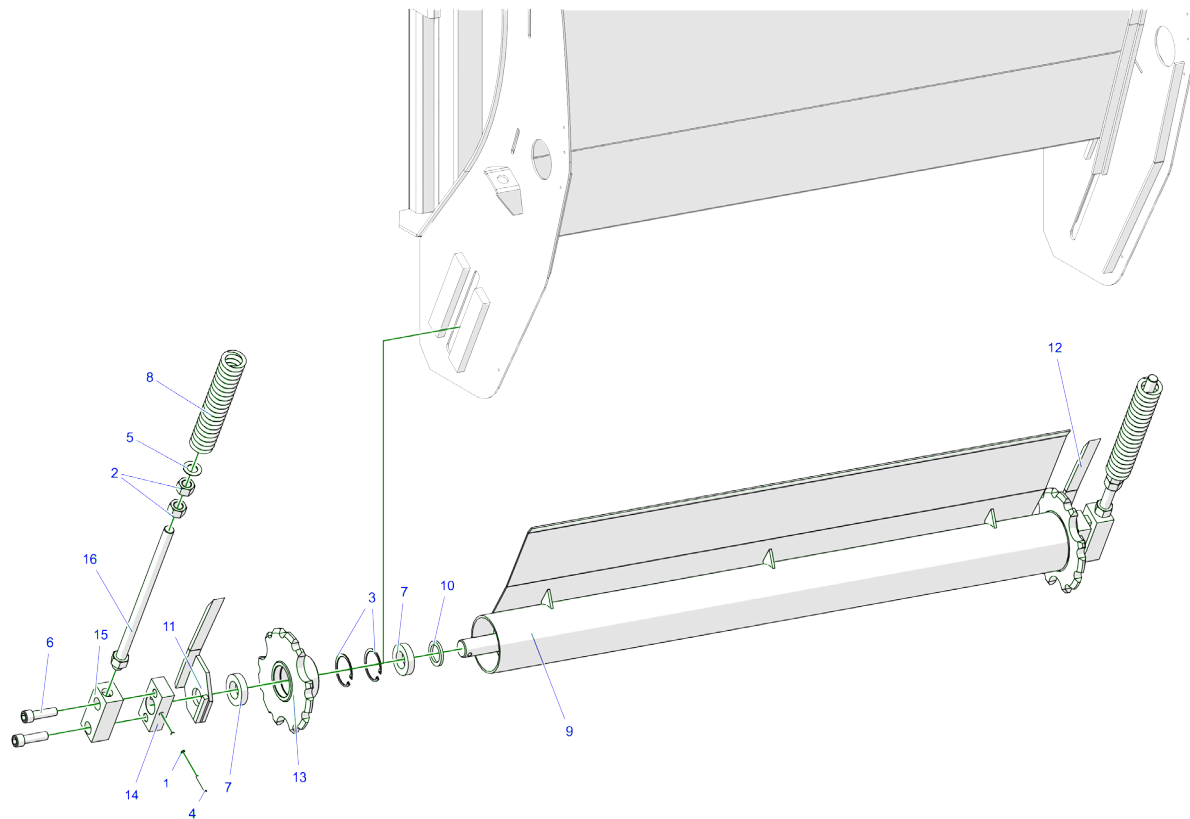




No.	Index/Name	Description	Quantity
1	23NS8 0C	Self-locking nut M8 galv. 82175 8	5
2	23P12SP	Spring washer, 12 galv. 82008	8
3	23P800C	Round washer, 8 galv. 82005	5
4	23SZ35	Seeger ring, z35	128
5	23S12-350C 8.8	Bolt, 12x35 galv. 82105	8
6	25L209UCFC	Bearing assy, UCFC209	2
7	POD-ELZ-000423	Neck bolt 8x20 galv. 82406	5
8	POD-LOZ-000160	Bearing, LR207 2RS	64
9	Z582 010.240.00	Chain wheel, welded	2
10	Z582 010.390.00	Drive shaft tube	1

No.	Index/Name	Description	Quantity
11	Z587 000.010.00	Washer, 35x47x2	192
12	Z587 020.028.00	Shaft, POD-EOS-000387	1
13	Z587 020.029.00	Spacing bushing	2
14	Z587 050.017.00	Washer, 60x72x2	2
15	Z587 050.047.00	Rolling chain bar	32
16	POD-LAN-000099 Chain 1	Rolling chain, CA 650 + coupling	2
17	POD-ELZ-000549	Key, 14x9x60	2
18	POD-LOZ-000172	Bearing, 6012 2RS	2
18	POD-LOZ-000172	Roulement 6012 2RS	2

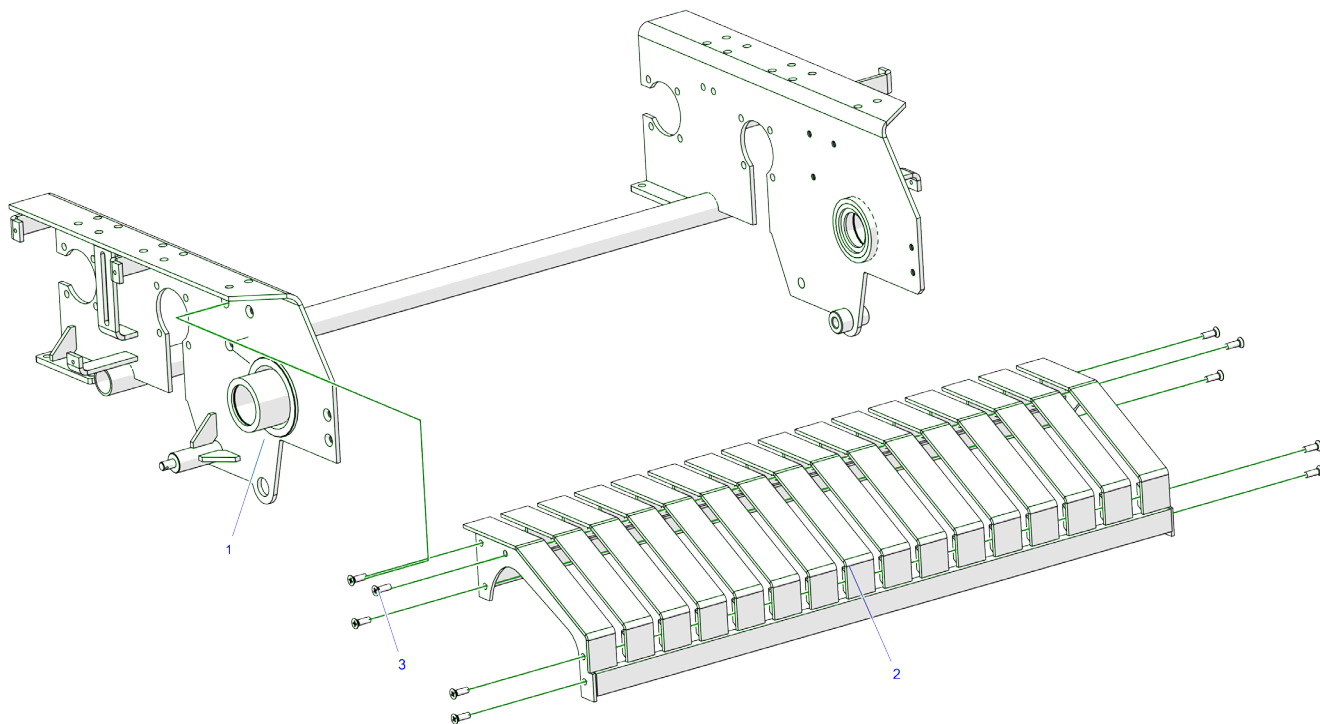
## 7. CHAIN AND BAR CONVEYOR TENSIONER



No.	Index/Name	Description	Quantity
1	23K8-50	Spring pin, 8x50 DIN 1481	2
2	23N20 OC	Nut, M20 galv. 82144 5	4
3	23SW62	Seeger ring, W62	4
4	POD-ELZ-000354	Spring pin, 5x40 DIN 1481	2
5	POD-ELZ-000459	Round washer, 20 galv. 82030	2
6	POD-ELZ-000501	Allen bolt, 16x55 galv.	4
7	POD-LOZ-000170	Bearing, 6007 2RS (Fe)	4
8	POD-SPR-000058	Spring, maz-6527 galv.	2

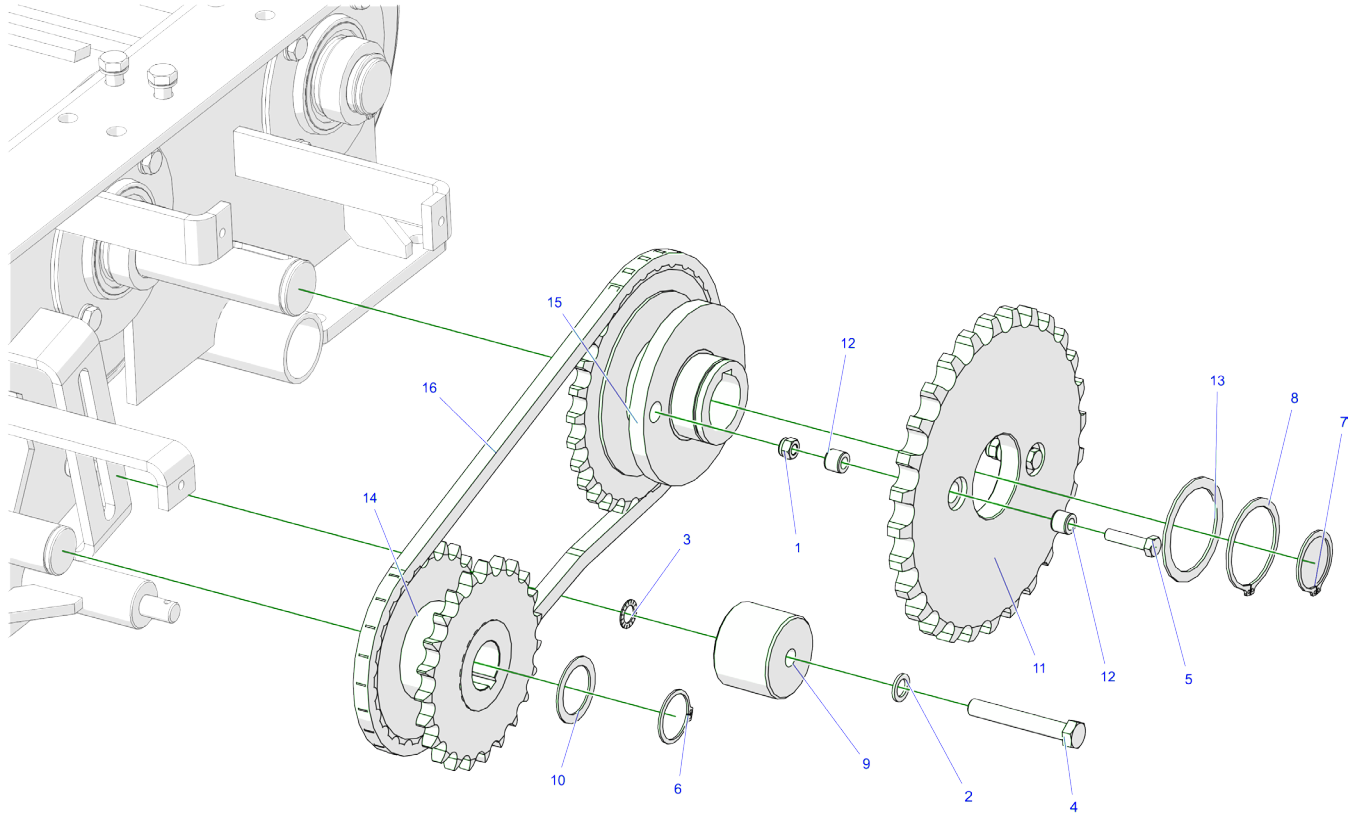
No.	Index/Name	Description	Quantity
9	Z587 010.240.00	Welded tube	1
10	Z587 010.020.00	Washer	2
11	Z587 010.280.00	Guide bar, left-hand	1
12	Z587 010.290.00	Guide bar, right-hand	1
13	Z582 010.250.00	Bottom chain wheel, welded	2
14	Z587 010.033.00	Block 1	2
15	Z587 010.034.00	Block 2	2
16	Z587 010.250.00	Welded bar	2

## 8. BODY



No.	Index/Name	Description	Quantity
1	Z587 030.210.00	Chassis frame	1
2	Z562 000.035.000	Collector guard	1
3	POD-ELZ -000007-1	Screw, 10x30 galv. 82208	10

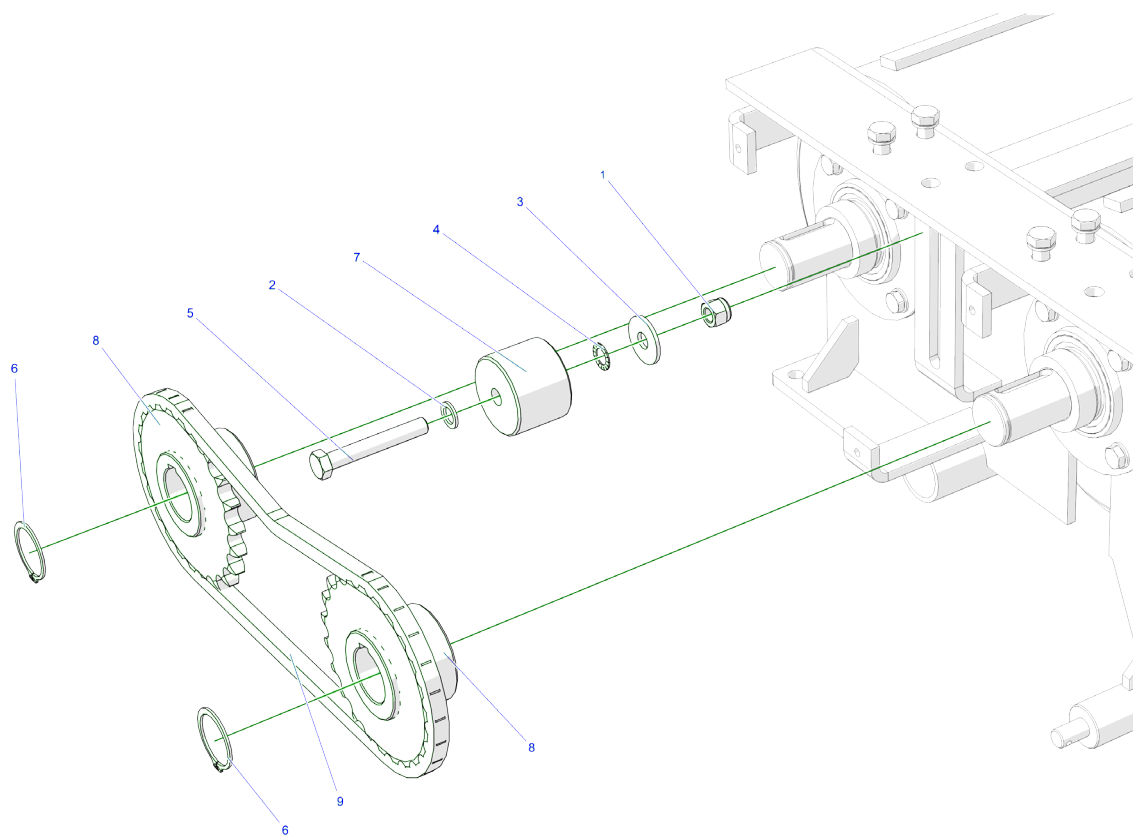
## 9. MOVING BOTTOM GEARBOX, LEFT-HAND SIDE



No.	Index/Name	Description	Quantity
1	23NS8 0C	Self-locking nut M8 galv. 82175 8	2
2	23P12 0C	Round washer, 12 galv. 82005	1
3	23PW12.30C	Spring washer, fanned, I/O M12 galv. DIN6798DD	1
4	23S12-80 0C 8.8	Bolt, 12x80 galv. 82101	1
5	23S8-350C 8.8	Bolt, 8x35 galv. 82105	2
6	23SZ35	Seeger ring, z35	1
7	23SZ40	Seeger ring	1
8	POD-ELZ-000364	Seeger ring Z60	1

No.	Index/Name	Description	Quantity
9	Z562 000.000.207	Slide II	1
10	Z562 096.000.042	Washer, 48x35x1.5	1
11	Z587 050.004.00	Gear, Z28-16B	1
12	Z587 050.015.00	Bush	4
13	Z587 050.017.00	Washer, 60x72x2	1
14	Z587 050.250.00	Double gear, Z23-12B	1
15	Z587 050.270.00	Double gear hub, Z28-Z29	1
16	POD-LAN-000099 Chain 2	12B1 58 links + straight connector	1

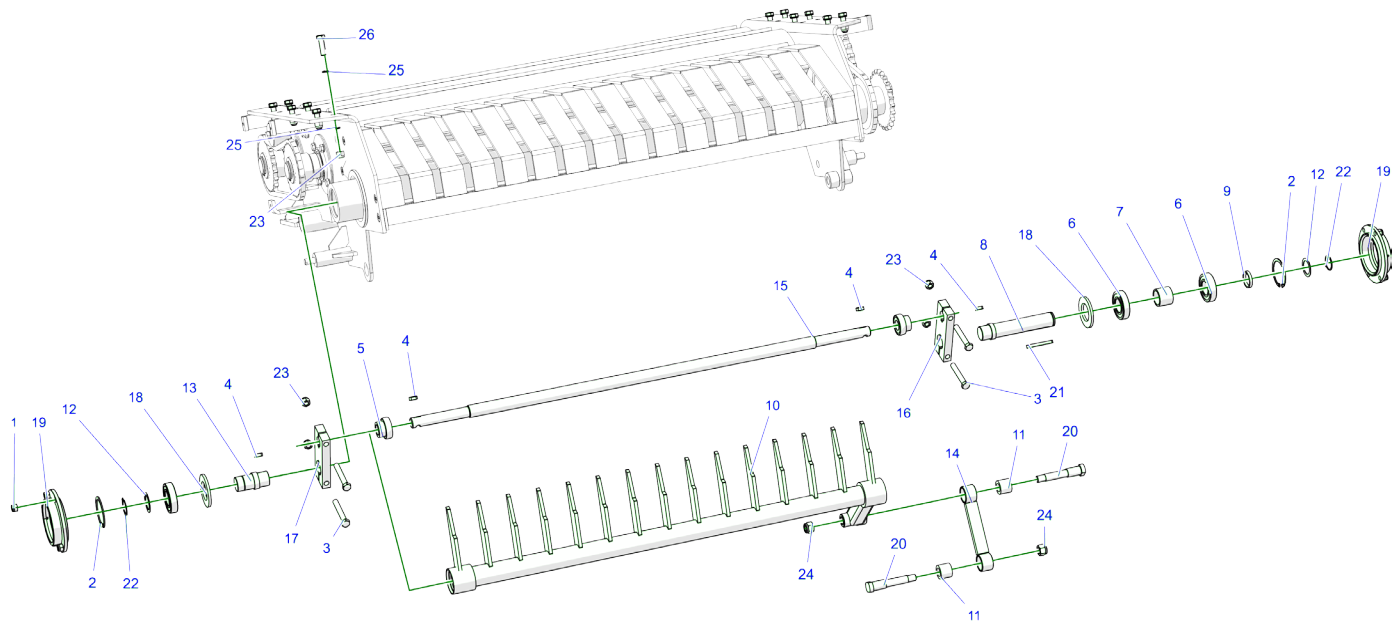
## 10. MOVING BOTTOM GEARBOX, RIGHT-HAND SIDE





No.	Index/Name	Description	Quantity
1	23NS12 OC	Self-locking nut M12 galv. 82175 8	1
2	23P12 OC	Round washer, 12 galv. 82005	1
3	23P120 OC	Round washer, 12 galv. coat. 82030	1
4	23PW12.30C	Spring washer, fanned, I/O M12 galv. DIN6798DD	1
5	23S12-80 OC 8.8	Bolt, 12x80 galv. 82101	1
6	23SZ40	Seeger ring	2
7	Z562 000.000.207	Slide II	1
8	Z587 050.230.00	Z23 chain wheel	2
9	POD-LAN-000099 Chain 3	12B1 52 links + straight coupling	1

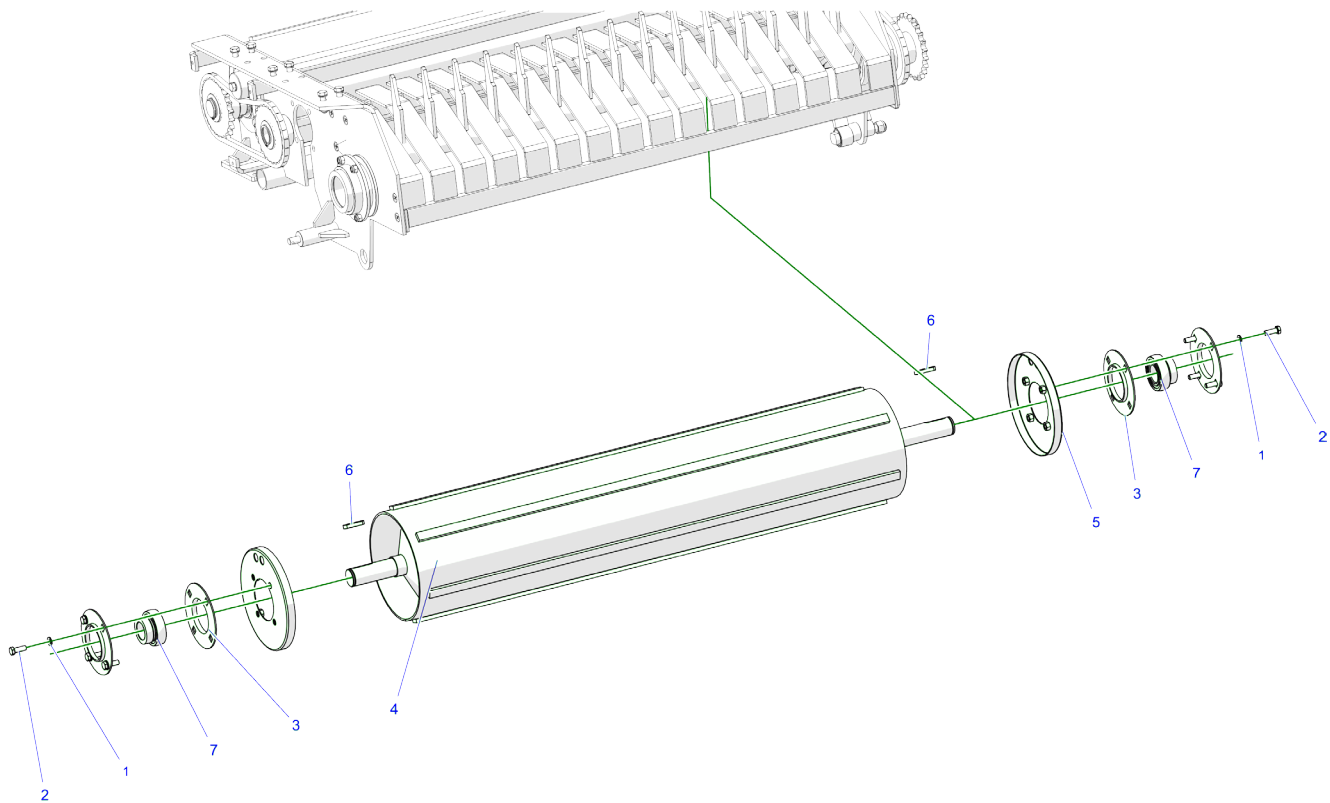
## 11. COLLECTOR ASSEMBLY



No.	Index/Name	Description	Quantity
1	23NS10 OC	Self-locking nut M10 galv. 82175 8	8
2	23SW72	Seger ring, W72	2
3	23S12-80 OC 8.8	Bolt, 12x80 galv. 82101	4
4	23WP8-7-20	Key, 8x7x20 DIN 6885	4
5	25L205	Bearing, FD205	2
6	POD-LOZ-000171	Bearing, 6207 2RS	3
7	Z-562 095.000.014	Spacer bush	1
8	Z562 095.000.012	Left axle shaft	1
9	Z562 095.000.024	Spacer washer	1
10	Z562 095.001.000	Welded rake	1
11	Z562 095.003.00	Slide bushing	2
12	Z562 096.000.042	Washer, 48x35x1.5	2
13	Z587 030.028.00	Axle shaft, right hand	1
14	Z562 095.003.000	Fastener I, set	1

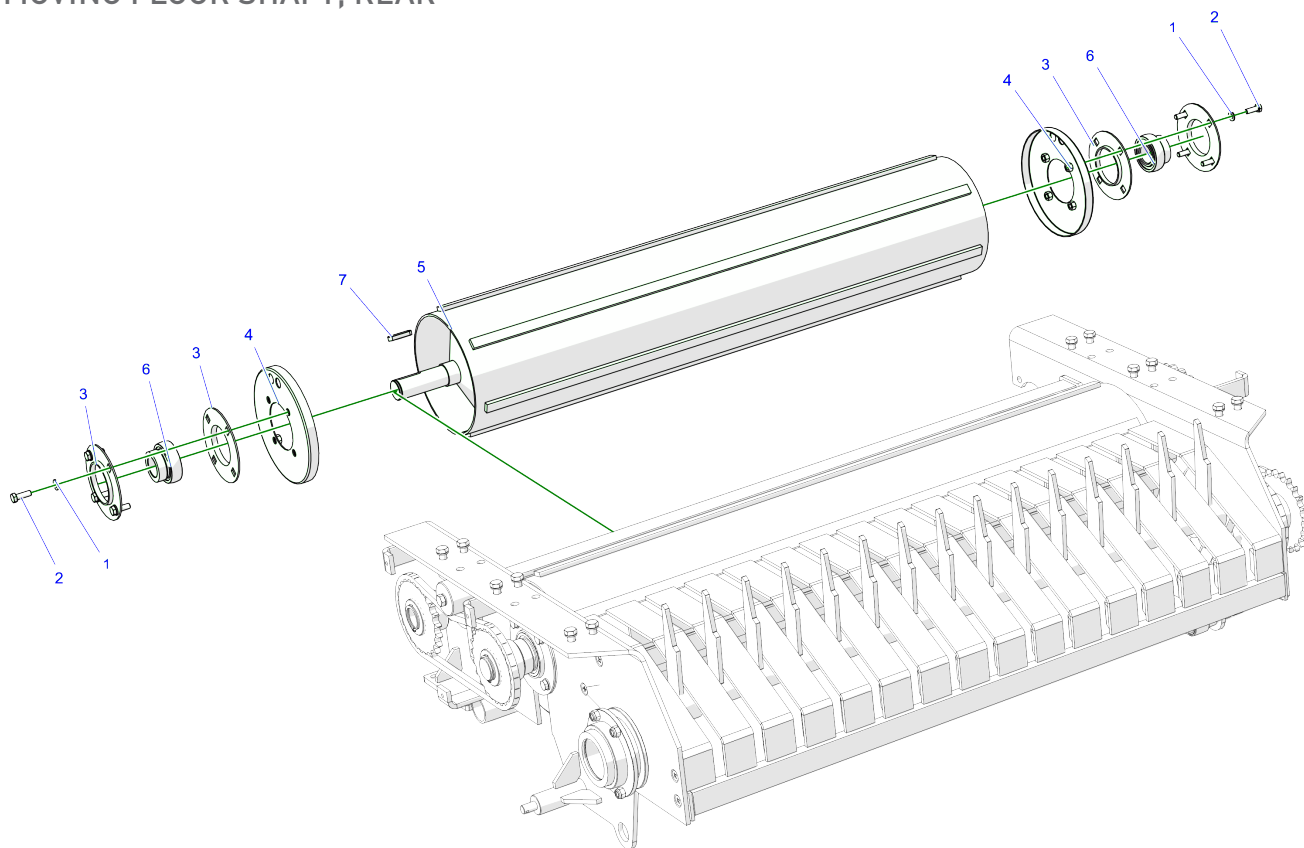
No.	Index/Name	Description	Quantity
15	Z562 095.000.002.1	Collector axis	1
16	Z562 095.000.004	Collector block	1
17	Z562 095.000.004	Collector block	1
18	Z562 095.000.006	Thrust washer	2
19	Z562 095.000.009	Holder I	2
20	Z562 095.000.005	Special bolt, M16 Z-562 095.000.005	2
21	23WP8-7-70	Key, 8x7x70	1
22	23SZ35	Seger ring, z35	2
23	23NS12 OC	Self-locking nut M12 galv. 82175 8	16
24	23NS16 OC	Self-locking nut M16 galv. 82175 8	2
25	23P12 OC	Round washer, 12 galv. 82005	24
26	23S12-400C	Bolt, 12x40 galv. 82101	12
26	23S12-400C	Bolt, 12x40oc 82101	12

## 12. MOVING FLOOR SHAFT, FRONT



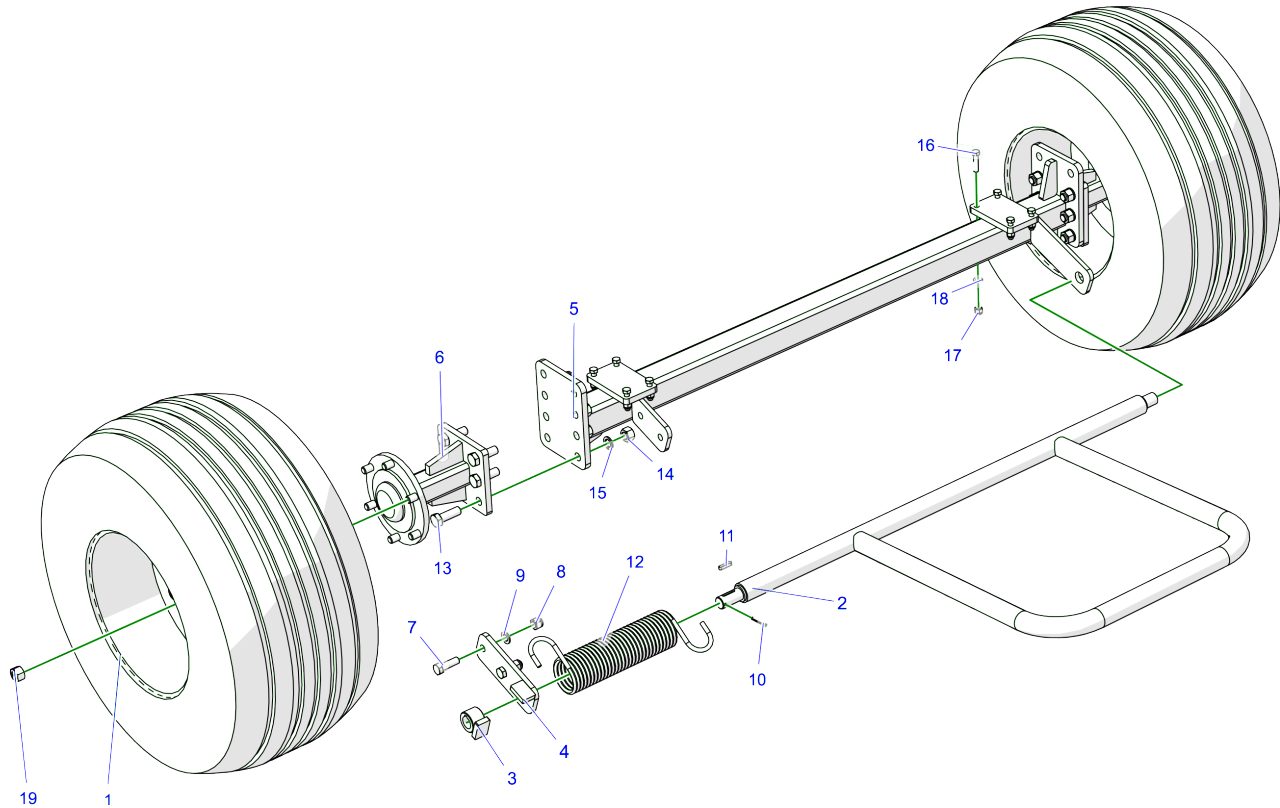
No.	Index/Name	Description	Quantity
1	23P10 82005	Round washer, 10 galv. 82005	8
2	23S10-30 8.8	Bolt, 10x30, BS	8
3	POD-LOZ-000250	Casing, P208 4 holes	4
4	Z587 030.220.00	Collector shaft, set 1	1
5	Z587 030.260.00	Shaft guard	2
6	POD-ELZ-000077	Key, 12x8x50 DIN 6885A	2
7	POD-LOZ-000224	Bearing, FD208	2

## 13. MOVING FLOOR SHAFT, REAR



No.	Index/Name	Description	Quantity
1	23P10 82005	Round washer, 10 galv. 82005	8
2	23S10-30 8.8	Bolt, 10x30, BS	8
3	POD-LOZ-000250	Casing, P208 4 holes	4
4	Z587 030.260.00	Shaft guard	2
5	Z587 030.250.01	Collector shaft, set 2	1
6	POD-LOZ-000224	Bearing, FD208	2
7	POD-ELZ-000077	Key, 12x8x50 DIN 6885A	1

## 14. DRIVING AXLE & BALE EJECTOR

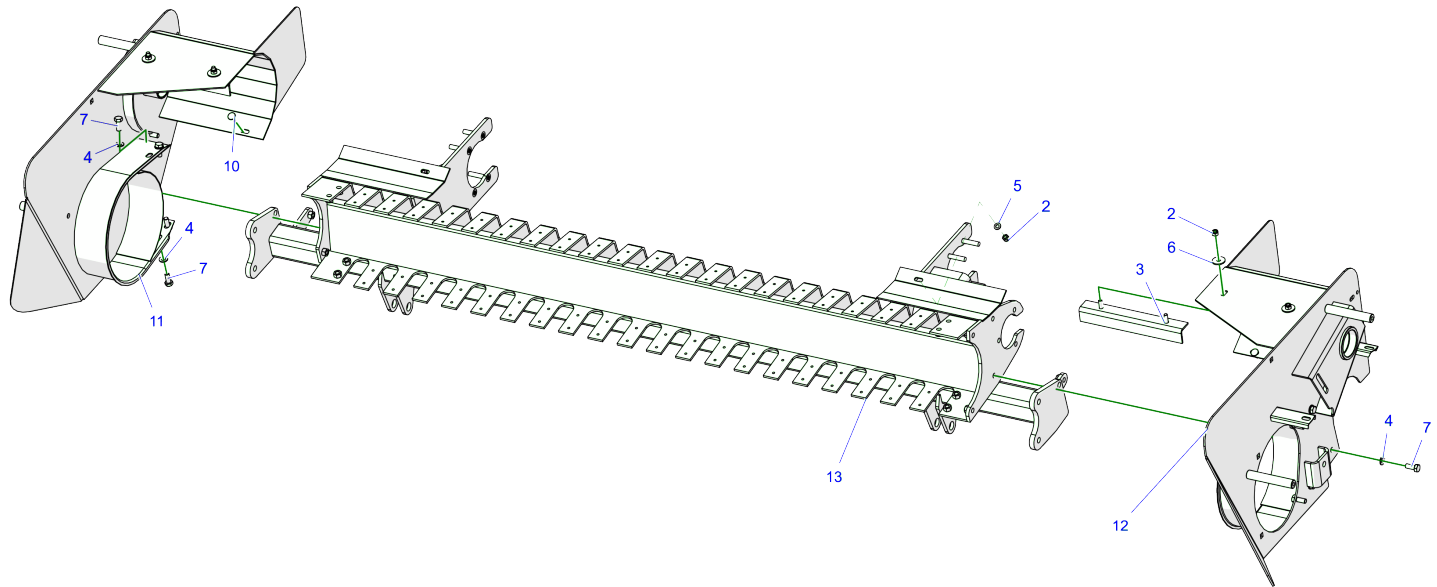




No.	Index/Name	Description	Quantity
1	25K400-60-15.3	Wheel, 400/60-15.5 14PR	2
2	Z562 000.079.000	Bale ejector	1
3	Z562 000.204.000	Ejector lock	1
4	Z562 008.002.000	Bracket III	1
5	Z587 040.210.00	Axle, welded	1
6	25PQ060X0210 LA06	Axle shaft, Z562	2
7	23S16-50 8.8	Bolt, 16x50 galv. 82101	2
8	23NS16 OC	Self-locking nut M16 galv. 82175 8	2
9	23P160OC	Round washer, 16 galv. 82005	2

No.	Index/Name	Description	Quantity
10	POD-ELZ-000538	Spring pin, 6x50 DIN 1481	1
11	23WP8-7-36	Key, 8x7x36	1
12	23S10-80-440	Spring, maz-4720, for ejector Z562 000.000.206	1
13	23S20-600C 8.8	Bolt, 20x60 galv. 82101	12
14	23N20 OC	Nut, M20 galv. 82144 5	12
15	23P20SP	Spring washer, 20.5 galv. 82008	12
16	POD-ELZ-000519	Bolt 12x50, galv. 82101 10.9	8
17	23NS12 OC	Self-locking nut M12 galv. 82175 8	8
18	23P12SP	Spring washer, 12 galv. 82008	8
19	Wheel rim nut	Nut M18	12

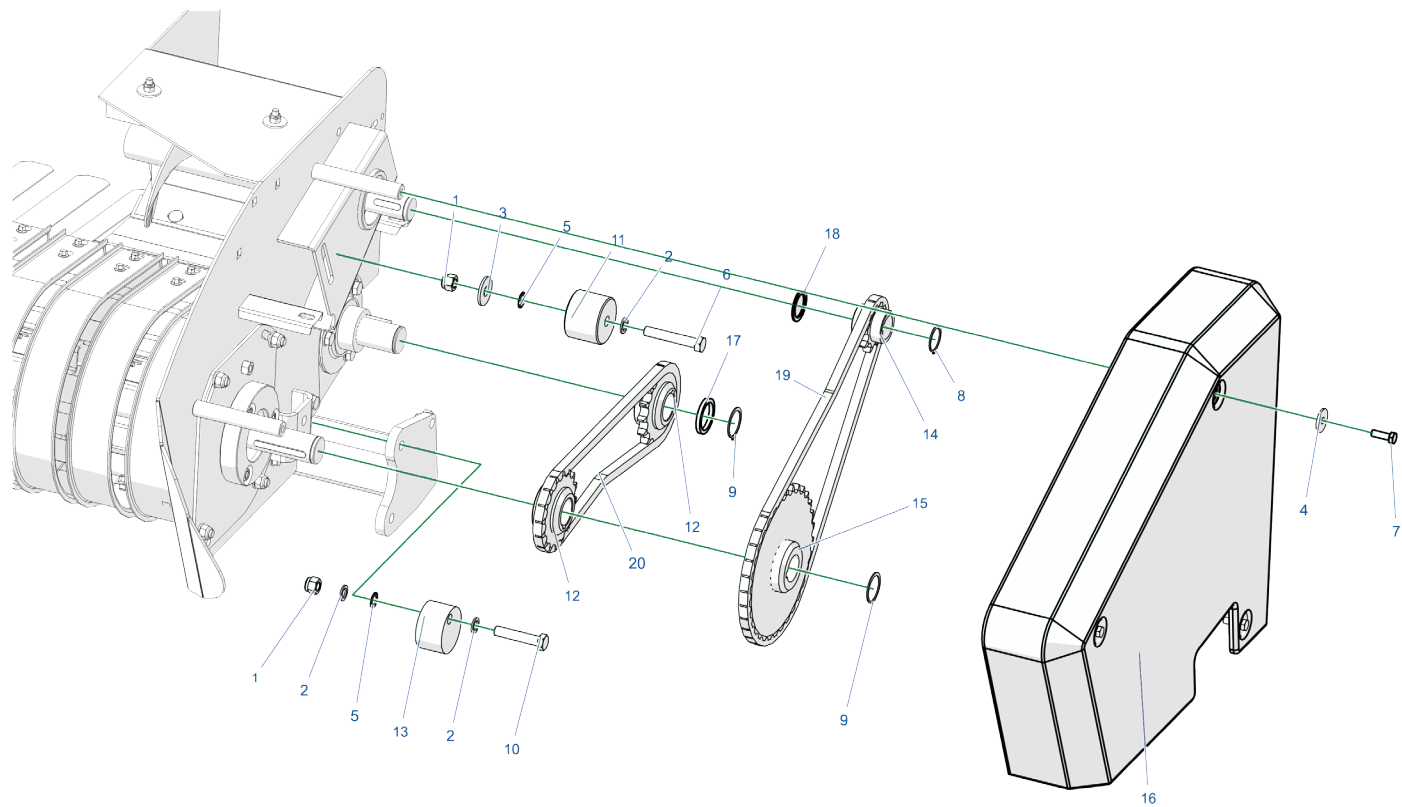
## 15. PICKUP BODY



No.	Index/Name	Description	Quantity
1	23N10	Nut, M10 BS 82144 5	18
2	23NS8 OC	Self-locking nut M8 galv. 82175 8	6
3	Z562 097.010.000	Worm screw guard angle bar, set	2
4	23P10 82005	Round washer, 10 galv. 82005	16
5	23P800C	Round washer, 8 galv. 82005	2
6	23P8 OC 82030	Round washer, 8 galv. coat. 82030	4

No.	Index/Name	Description	Quantity
7	23S10-250C 8.8	Bolt, 10x25 galv. 82105	18
8	23S10-30 8.8	Bolt, 10x30, BS	3
9	23S8-25 8.8	Bolt, 8x25 BS 82105	4
10	POD-ELZ-000423	Neck bolt 8x20 galv. 82406	2
11	Z562 097.001.000	Wall, right-hand, set	1
12	Z562 097.002.000	Wall, left-hand, set	1
13	Z562 097.003.000	Pickup frame, set	1

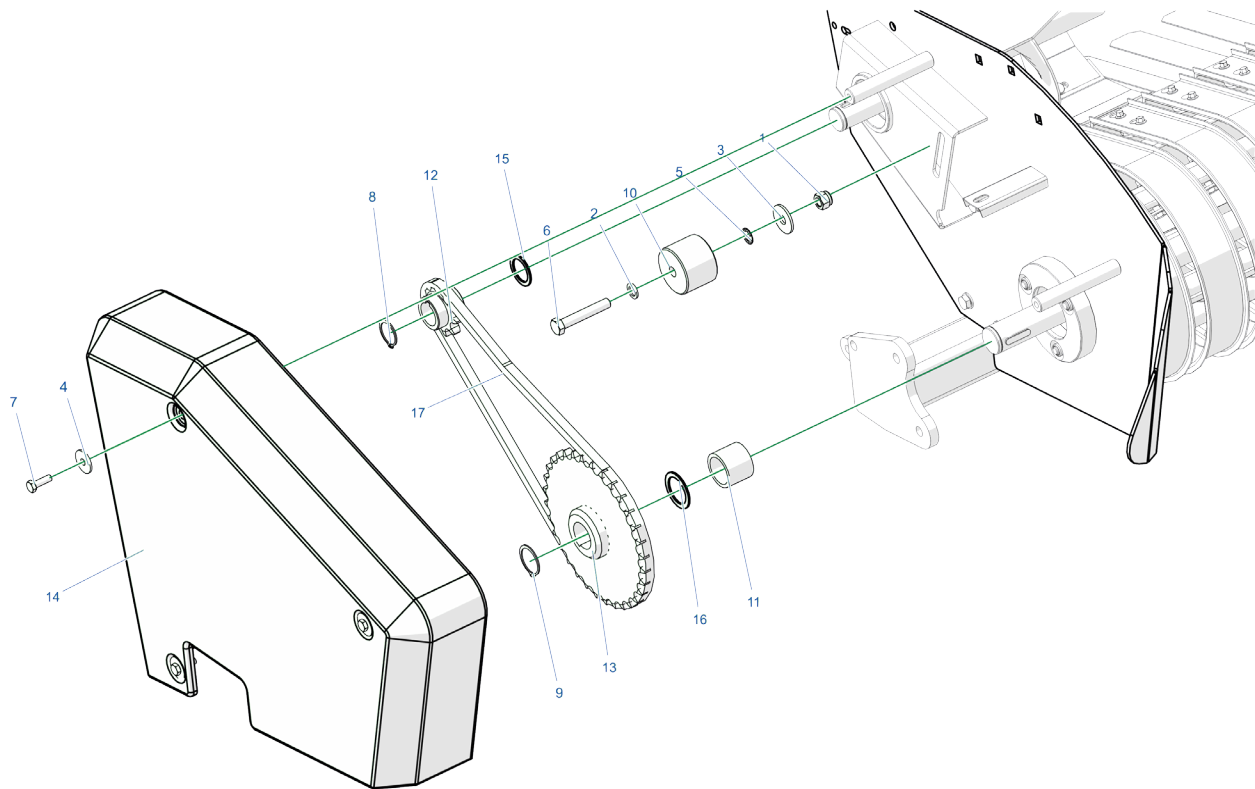
## 16. PICKUP GEARBOX, LEFT-HAND SIDE



No.	Index/Name	Description	Quantity
1	23NS12 OC	Self-retaining nut, M12 galv. 82175 8	2
2	23P12 OC	Round washer, 12 galv. 82005	3
3	23P120 OC	Round washer, 12 galv. coat. 82030	1
4	23P8 OC 82030	Round washer, 8 galv. coat. 82030	3
5	23PW12.30C	Spring washer, fanned, I/O M12 galv. DIN6798DD	2
6	23S12-700C 8.8	Bolt, 12x70 galv. 82101	1
7	23S8-25 8.8	Bolt, 8x25 BS 82105	3
8	23SZ30	Seeger ring Z30	1
9	23SZ35	Seeger ring, z35	2
10	POD-ELZ-000429	Bolt, 12x60 galv. 8.8 82105	1

No.	Index/Name	Description	Quantity
11	Z562 000.000.207	Slide II	1
12	Z562 096.000.017	Gear, Z16	2
13	Z562 096.000.028	Chain tensioner	1
14	Z562 096.007.002	Gear, Z-10	1
15	Z562 096.008.000.1	Gear, Z-32	1
16	POD-TSZ-000201 left-hand	Left guard	1
17	Z587 000.019.00	Ring	1
18	Z587 000.016.00	Washer, 30.3x40x2	1
19	POD-LAN-000099 Chain 4	12B1 58 links + straight connector	1
20	POD-LAN-000099 Chain 5	12B1 49 links + bent connector	1

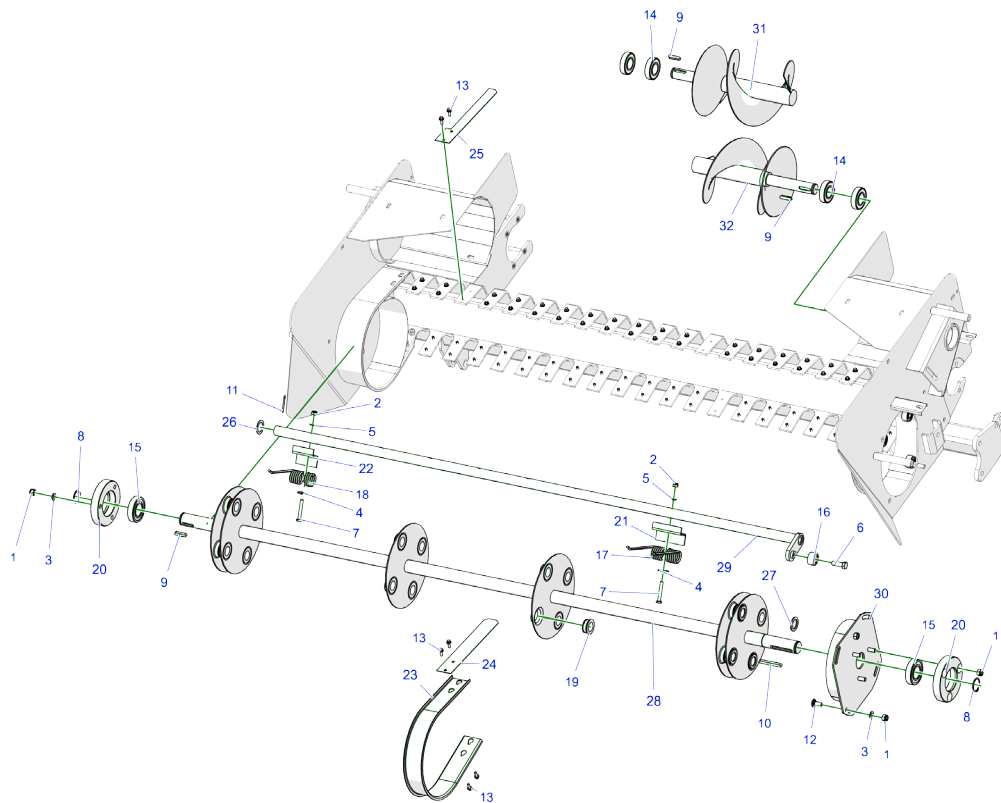
## 17. PICKUP GEARBOX, RIGHT-HAND SIDE



No.	Index/Name	Description	Quantity
1	23NS12 OC	Self-locking nut M12 galv. 82175 8	1
2	23P12 OC	Round washer, 12 galv. 82005	1
3	23P120 OC	Round washer, 12 galv. coat. 82030	1
4	23P8 OC 82030	Round washer, 8 galv. coat. 82030	3
5	23PW12.30C	Spring washer, fanned, I/O M12 galv. DIN6798DD	1
6	23S12-700C 8.8	Bolt, 12x70 galv. 82101	1
7	23S8-25 8.8	Bolt, 8x25 BS 82105	3
8	23SZ30	Seeger ring Z30	1

No.	Index/Name	Description	Quantity
9	23SZ35	Seeger ring, z35	1
10	Z562 000.000.207	Slide II	1
11	Z562 096.000.014.1	Bushing I	1
12	Z562 096.007.002	Gear, Z-10	1
13	Z562 096.008.000.1	Gear, Z-32	1
14	POD-TSZ-000201, right-hand	Right guard	1
15	Z587 000.016.00	Washer, 30.3x40x2	1
16	Z587 000.010.00	Washer, 35x47x2	1
17	POD-LAN-000099 Chain 4	12 B1 58 links + straight coupling	1

## 18. PICKUP AXLE & SCREW CONVEYORS

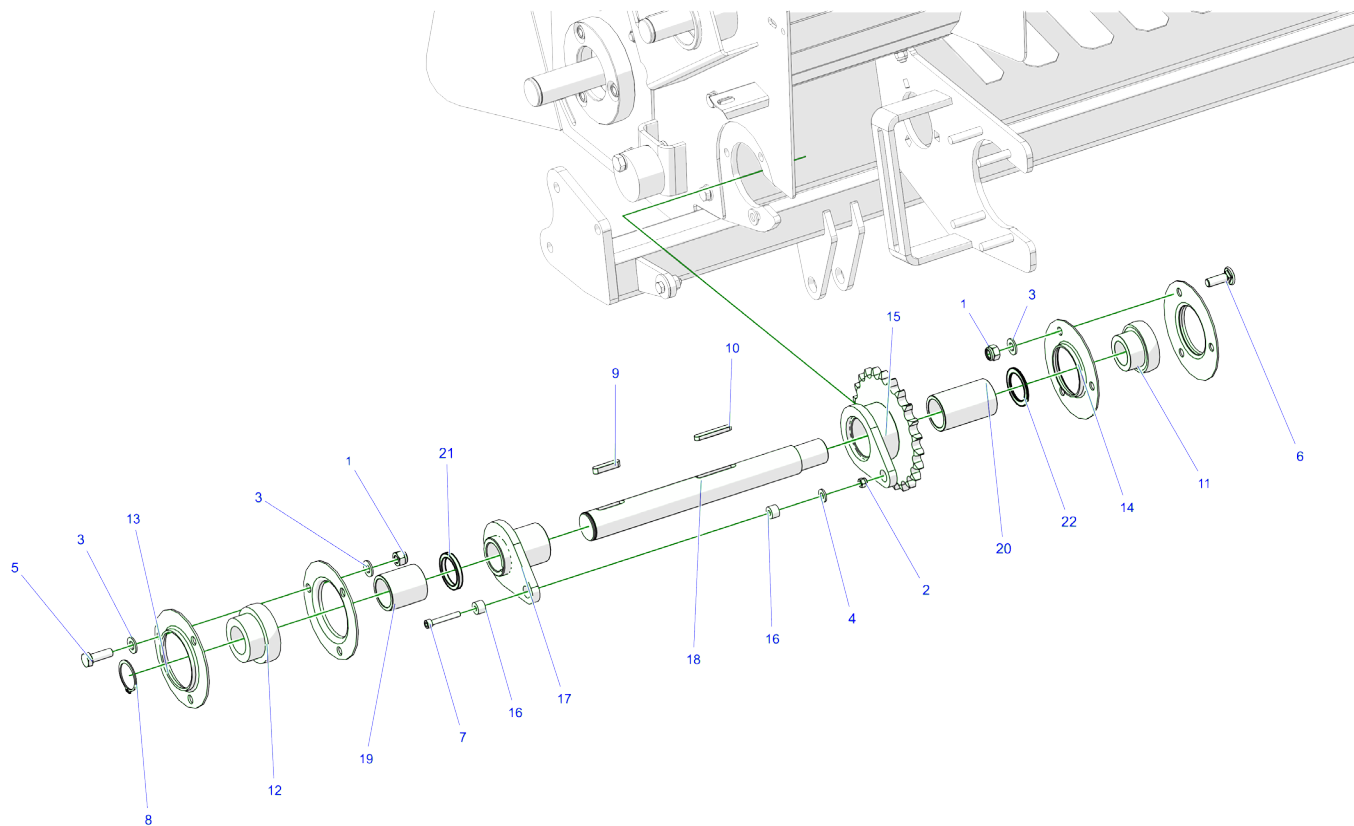




No.	Index/Name	Description	Quantity
1	23NS10 OC	Self-locking nut M10 galv. 82175 8	10
2	23NS80C	Self-locking nut M8 galv. 82175 8	44
3	23P10 82005	Round washer, 10 galv. 82005	7
4	23P80C 82030	Round washer, 8 galv. coat. 82030	44
5	23P800C	Round washer, 8 galv. 82005	44
6	23S12-350C 8.8	Bolt, 12x35 galv. 82105	4
7	23S8-550C 8.8	Bolt, 8x55 galv. 82105	44
8	23SZ35	Seeger ring, z35	2
9	23WP8-7-36	Key, 8x7x36	3
10	23WP8-7-70	Key, 8x7x70	1
11	23Z4-50	Cotter pin, 4x50 galv.	4
12	POD-ELZ-000432	Neck bolt, 10x25 galv. 8.8 82406	2
13	POD-ELZ-000513	Self-tap screw, 6x16 galv. DIN 7500D - Hex	80
14	POD-LOZ-000169	Bearing, 6206 2RS	4
15	POD-LOZ-000171	Bearing, 6207 2RS	2
16	POD-LOZ-000227	Raceway roller, 305701 C-2Z	4

No.	Index/Name	Description	Quantity
17	POD-SPR-000086 (1 prong)	Spring, maz-7492, for pickup	40
18	POD-SPR-000086 (2 prong)	Spring, maz-7492, for pickup	4
19	Z562 097.000.006	Tecamide bush	36
20	Z562 097.000.009	Bearing mount	2
21	Z562 097.000.012	Spring grip mounting sheet I	40
22	Z562 097.000.013	Spring grip mounting sheet II	4
23	Z562 097.000.015	Guard	20
24	Z562 097.000.016	Sheet I	14
25	Z562 097.000.017	Sheet II	2
26	Z562 097.000.018	Spacing washer I	4
27	Z562 097.000.019	Spacing washer II	4
28	Z562 097.004.000	Main shaft, set	1
29	Z562 097.005.000.1	Spring axis	1
30	Z562 097.008.000	Raceway, set	1
31	Z562 097.020.000	Worm screw, right-hand, set	1
32	Z562 097.021.000	Worm screw, left-hand, set	1

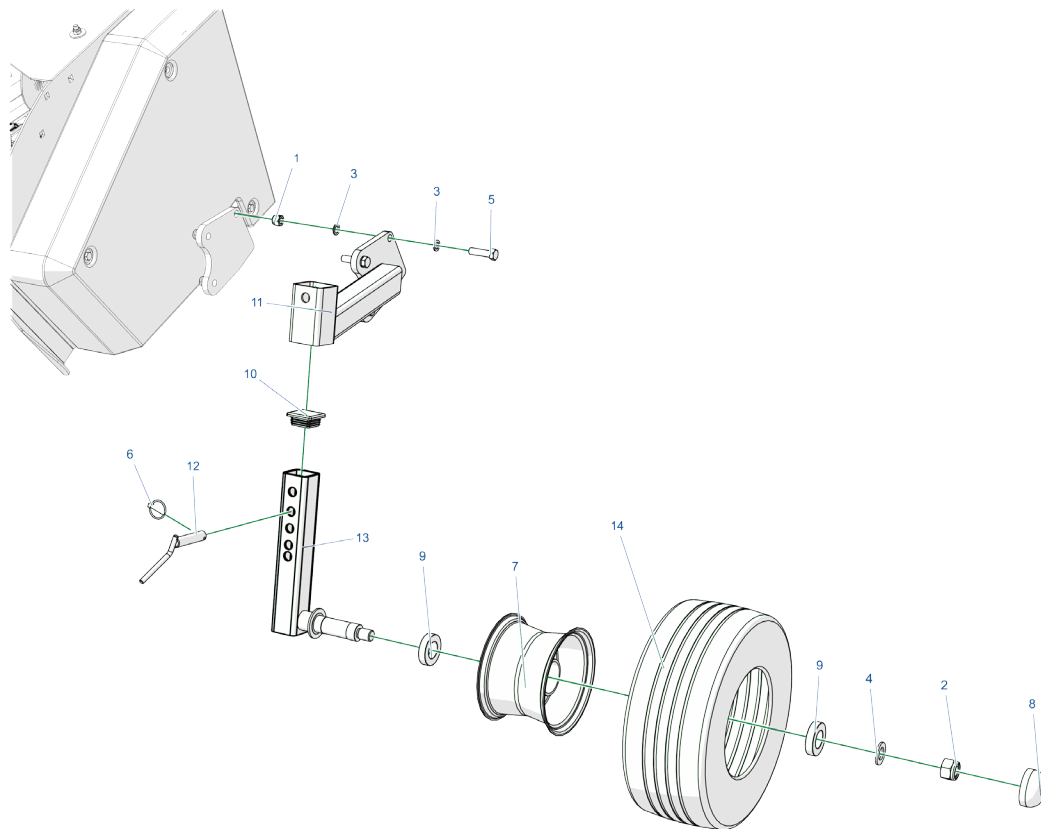
## 19. PICKUP CLUTCH AND DRIVE AXIS



No.	Index/Name	Description	Quantity
1	23NS10 OC	Self-locking nut M10 galv. 82175 8	2
2	23NS6 OC	Self-locking nut M6 galv. 82175 8	1
3	23P10 82005	Round washer, 10 galv. 82005	3
4	23P600C	Round washer, 6 galv. 82005	1
5	23S10-300C 8.8	Bolt, 10x30 galv. 82105 82105	1
6	23S10-30P	Neck bolt 10x30 galv. 82406	1
7	23S16-40 10.9	Allen bolt, 6x40 BS 10.9 82302 10,9	1
8	23SZ35	Seeger ring, z35	1
9	23WP8-7-36	Key, 8x7x36	1
10	23WP8-7-50	Key, 8x7x50	1
11	25L206	Bearing, FD206	1

No.	Index/Name	Description	Quantity
12	25L207	Bearing, FD207	1
13	250P207	Sheet metal mount, P-207	2
14	Z562 096.000.041	Sheet metal housing, P206	2
15	Z562 096.021.000	Clutch I	1
16	Z562 096.021.202	Bush	2
17	Z562 096.022.000	Clutch II	1
18	Z562 097.000.020.1	Drive shaft	1
19	Z562 097.000.021	Spacing bushing, L=48.5	1
20	Z562 097.000.022	Spacing bushing, L=72	1
21	Z587 000.019.00	Ring	1
22	Z587 000.010.00	Washer, 35x47x2	1

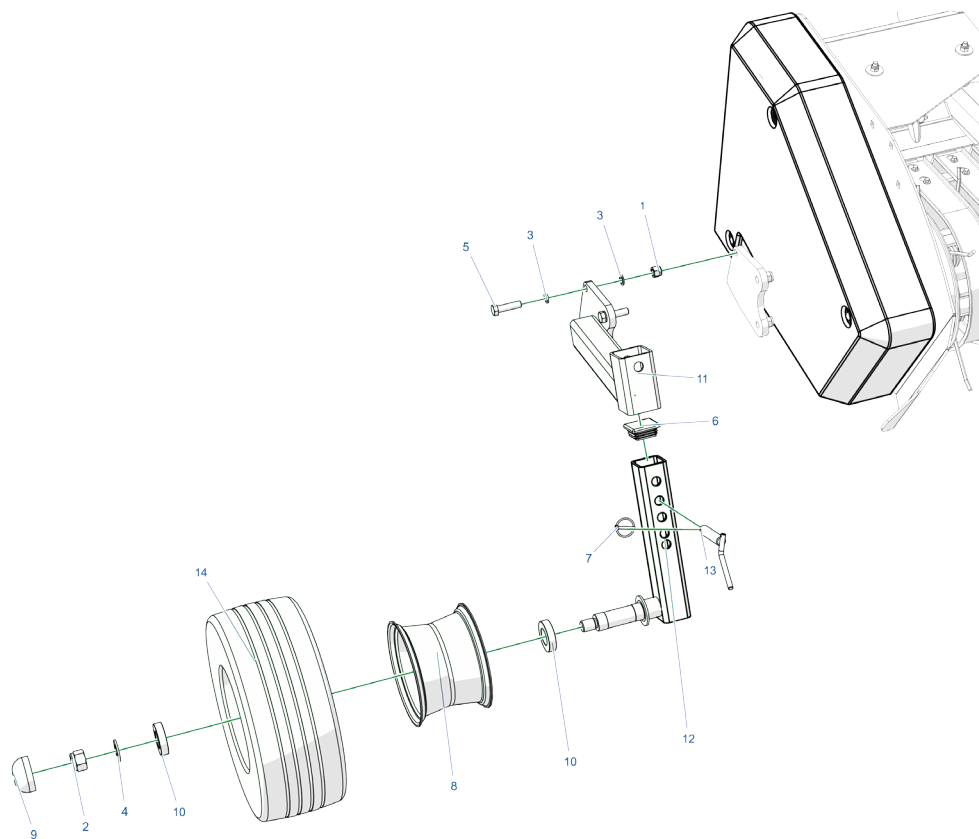
## 20. LAND FOLLOW WHEEL, LEFT-HAND



No.	Index/Name	Description	Quantity
1	23NS12 OC	Self-locking nut M12 galv. 82175 8	3
2	23NS20 OC 82175	Self-locking nut M20 galv. 82175 8	1
3	23P12 OC	Round washer, 12 galv. 82005	6
4	23P200OC	Round washer, 20 galv. 82005	1
5	23S12-45 8.8 OC	Bolt, 12x45 galv. 82101 82101	3
6	POD-ELZ-000444	Cotter pin w/ring, 4.5 mm	1
7	POD-KOJ-000075	Land follow wheel rim	1

No.	Index/Name	Description	Quantity
8	POD-KOJ-000075 hub cap	Hub cap	1
9	POD-LOZ-000138	Bearing, 6006 2RS (Fe)	2
10	POD-TSZ-000137	Stop plug, 50x50 #199274	1
11	Z562 097.022.100	Land follow wheel console	1
12	Z562 096.016.400	Cotter pin	1
13	Z562 097.022.200	Pickup wheel console	1
14	POD-KOJ-000076	Land follow wheel tyre	1

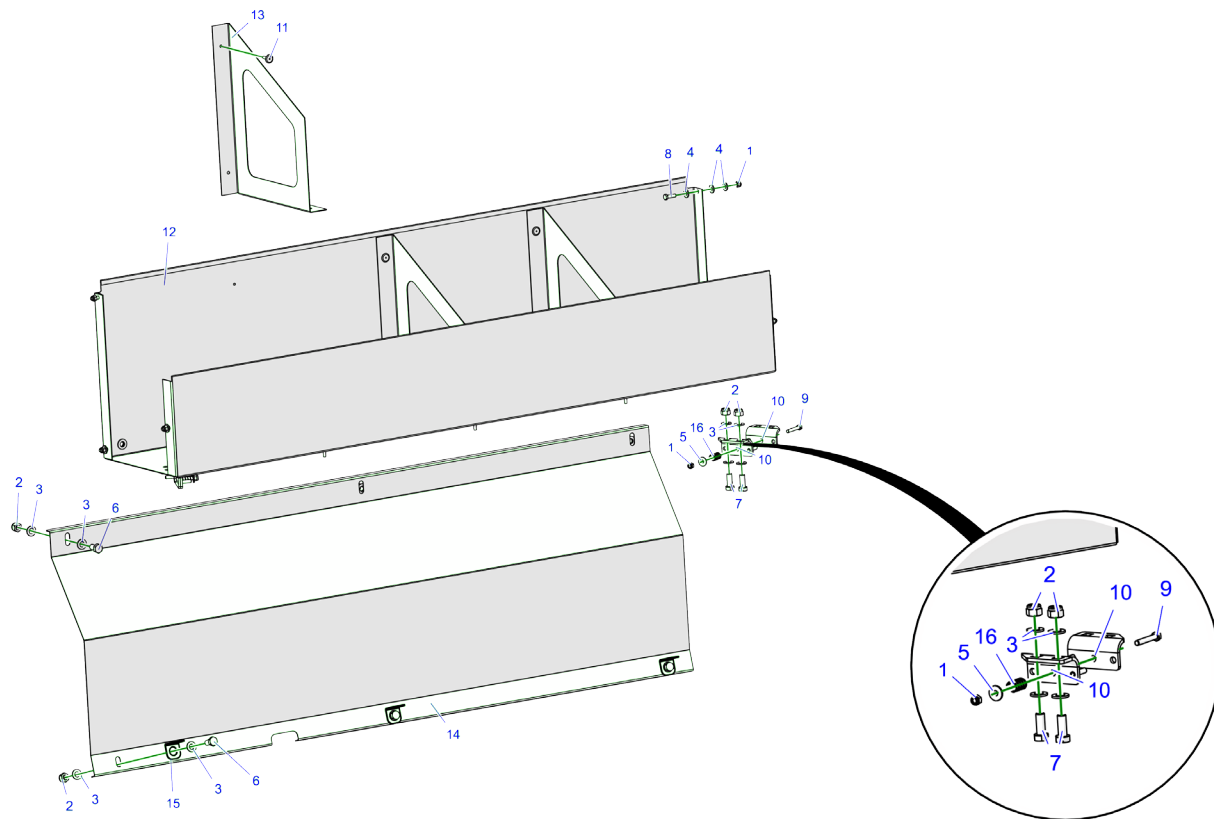
## 21. LAND FOLLOW WHEEL, RIGHT-HAND



No.	Index/Name	Description	Quantity
1	23NS12 OC	Self-locking nut M12 galv. 82175 8	3
2	23NS20 OC 82175	Self-locking nut M20 galv. 82175 8	1
3	23P12 OC	Round washer, 12 galv. 82005	6
4	23P200OC	Round washer, 20 galv. 82005	1
5	23S12-45 8.8 OC	Bolt, 12x45 galv. 82101	3
6	POD-TSZ-000137	Stop plug, 50x50 #199274	1
7	POD-ELZ-000444	Cotter pin w/ring, 4.5 mm	1

No.	Index/Name	Description	Quantity
8	POD-KOJ-000075	Land follow wheel rim	1
9	POD-KOJ-000075 hub cap	Hub cap	1
10	POD-LOZ-000138	Bearing, 6006 2RS (Fe)	2
11	Z562 097.023.100	Wheel console, right-hand	1
12	Z562 097.022.200	Pickup wheel console	1
13	Z562 096.016.400	Cotter pin	1
14	POD-KOJ-000076	Land follow wheel tyre	1

## 22. CORD STORAGE BOX, Z587 090.100.00

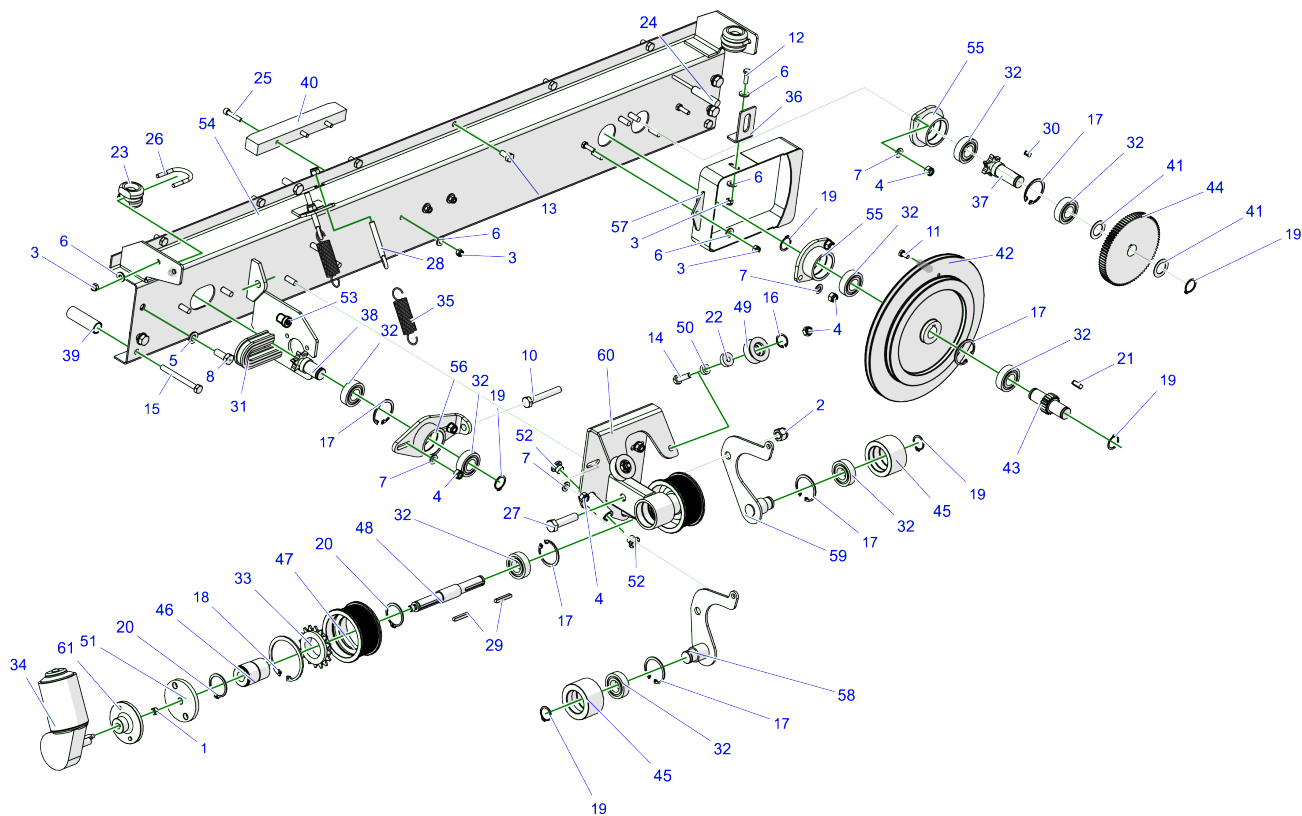




No.	Index/Name	Description	Quantity
1	23NS6 0C	Self-locking nut M6 galv. 82175 8	8
2	23NS10 0C	Self-locking nut M10 galv. 82175 8	10
3	23P10 82005	Round washer, 10 galv. 82005	18
4	23P600C	Round washer, 6 galv. 82005	12
5	23P6 0C 030	Round washer, 6 galv. coat. 82030	2
6	23S10-200C 8.8	Bolt, 10x20 galv. 82105	6
7	23S10-250C 8.8	Bolt, 10x25 galv. 82105	4
8	23S6-20	Bolt, 6x20 galv. 82105 8.8	6

No.	Index/Name	Description	Quantity
9	23S6-40 0C.	Bolt, 6x40 galv. 82105 8.8	2
10	Z562 042.001.000.1	Tensioner body	4
11	POD-ELZ-000414	Pop rivet, alu/steel, 5x20	12
12	Z587 090.056.01	Storage box case	1
13	Z587 090.057.00	Baffle	3
14	Z587 090.058.01	Net guard	1
15	Z587 000.018.00	Wiring base plate	3
16	23SS1-15-25	Spring, maz-1788	2

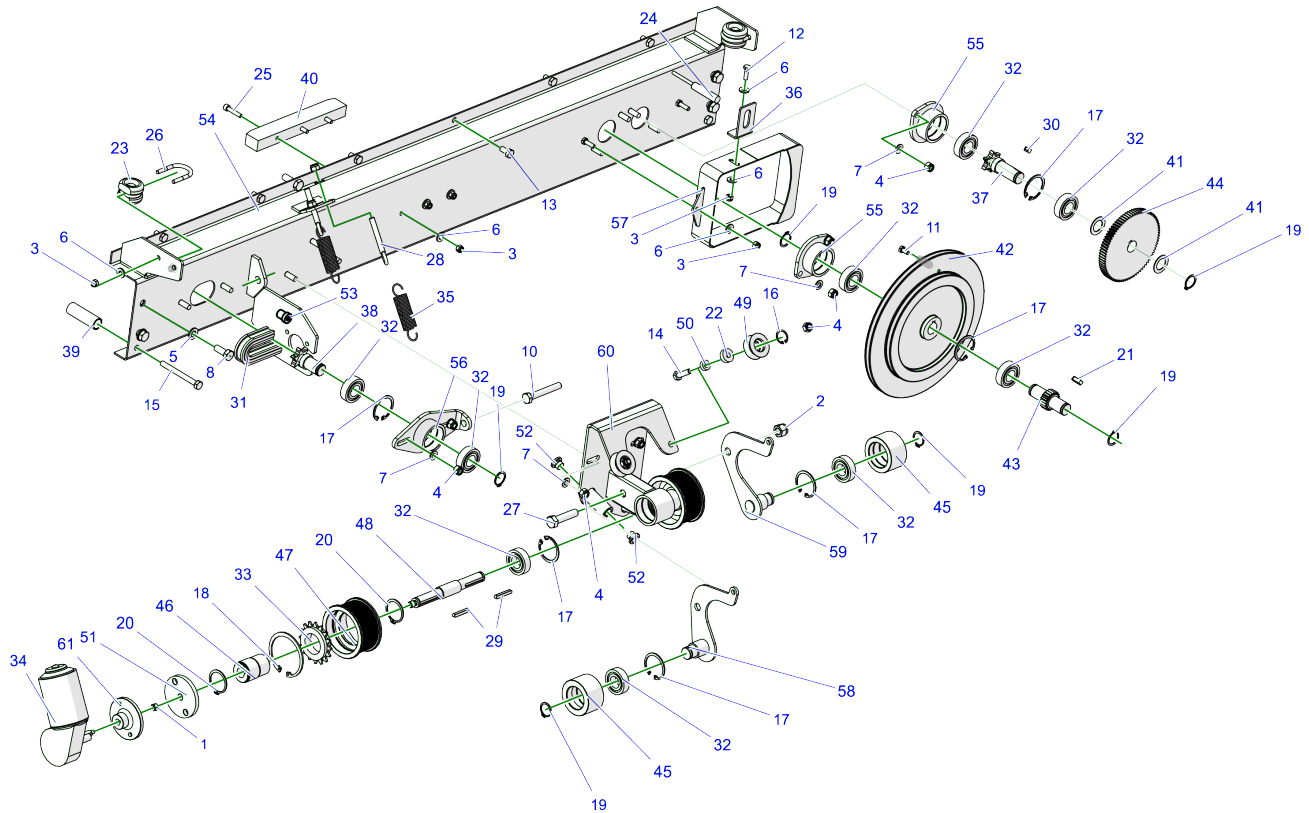
## 23. CORD WRAPPER, FRONT



No.	Index/Name	Description	Quantity
1	23N6 OC	Nut, M6 galv. 82144 5	1
2	23NS12 OC	Self-locking nut M12 galv. 82175 8	1
3	23NS6 OC	Self-locking nut M6 galv. 82175 8	10
4	23NS8 OC	Self-locking nut M8 galv. 82175 8	13
5	23P10 82005	Round washer, 10 galv. 82005	4
6	23P600C	Round washer, 6 galv. 82005	14
7	23P800C	Round washer, 8 galv. 82005	11
8	23S10-250C 8.8	Bolt, 10x25 galv. 82105	4
9	23S10-30 8.8	Bolt, 10x30, BS	1
10	23S10-70 OC	Bolt, 10x70 galv. 82105	1
11	23S6-120C 8.8	Bolt, 6x12 galv. 82105 8.8	1
12	23S6-20	Bolt, 6x20 galv. 82105 8.8	1
13	23S8-16 8.8 82105 OC	Bolt, 8x100 galv. 82105	6
14	23S8-300C 8.8	Bolt, 8x30 galv. 82105	2
15	23S8-80 8.8	Bolt, 8x80 galv. 82101	2
16	23SW22	Seeger ring, W22	2
17	23SW42	Seeger ring, W42	7
18	23SW72	Seeger ring, W72	2

No.	Index/Name	Description	Quantity
19	23SZ20	Seeger ring Z20	6
20	23SZ35	Seeger ring, z35	4
21	23WP6-6-20	Key, 6x6x20	1
22	25L608 2RS	Bearing, 608 2RS	2
23	25PSZ	Cord guide	2
24	POD-ELK-000215	Z593 counter induction sensor	1
25	POD-ELZ-000065-1	Allen bolt, 6x30 BS 12.9 82302	3
26	POD-ELZ-000475	Clamping ring, M6 galv. (U-bolt) Z-562 000.000.043	2
27	POD-ELZ-000519	Bolt 12x50, galv. 82101 10.9	1
28	POD-ELZ-000547	Eye bolt, 8x60 DIN444 B galv.	2
29	POD-ELZ-000550	Key, 5x5x36	2
30	POD-ELZ-000726	Key, 6x6x12	1
31	POD-LAN-000076	Chain, 10B1 131 links	1
32	POD-LOZ-000137	Bearing, 6004 2RS	10
33	POD-0GL-000411	Slow gear, Z16	2
34	POD-0GL-000413	Electrical motor	1
35	POD-SPR-000060	Spring, maz-6531 galv.	2
36	Z587 000.001.00	Sensor bracket	1

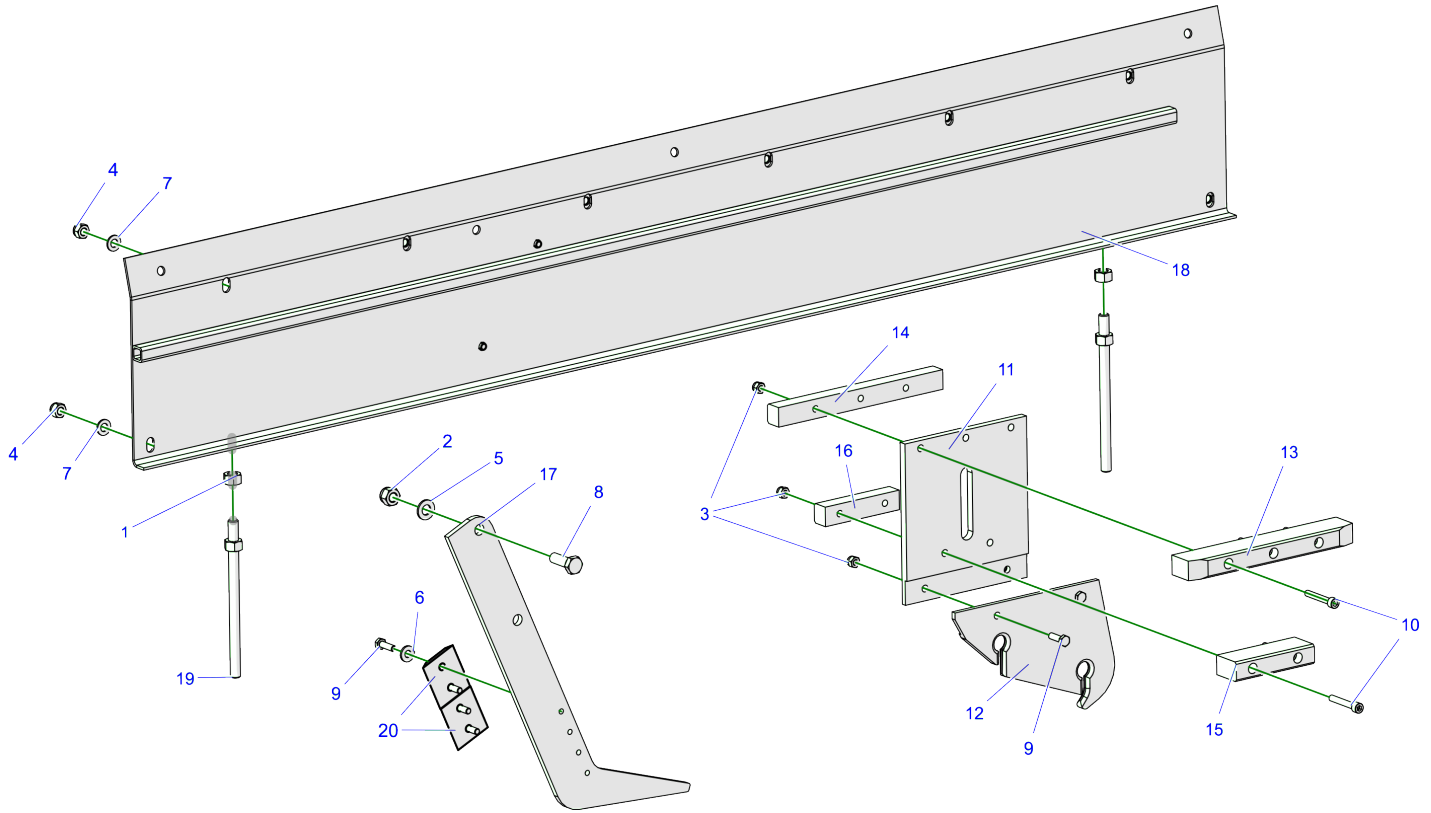
## 23. CORD WRAPPER, FRONT



No.	Index/Name	Description	Quantity
37	Z587 090.008.00	Driving wheel	1
38	Z587 090.009.00	Pulley	1
39	Z587 090.012.00	Spacer bush	2
40	Z587 090.016.00	Long slide	1
41	Z587 090.020.00	Washer, 20x32x1	2
42	Z587 090.021.01	Belt pulley, POD-TSZ-000150	1
43	Z587 090.022.00	Gear, Z20 m1.5	1
44	Z587 090.026.01	Gear, Z81 m1.5	1
45	Z587 090.031.00	Pressure roller	2
46	Z587 090.035.01	Feeder clutch hub	2
47	Z587 090.036.01	Feeder roller	2
48	Z587 090.038.01	Feeder shaft	1
49	Z587 090.041.00	Guiding roller	2

No.	Index/Name	Description	Quantity
50	Z587 090.042.00	Washer, 8x16x6	2
51	Z587 090.045.00	Disc 1	1
52	Z587 090.061.00	Bush, hardened	4
53	Z587 090.064.00	Bush, hardened	1
54	Z587 090.210.00	Front sheet plate, welded	1
55	Z587 090.230.00	Hub, welded	2
56	Z587 090.240.00	Hub I, welded	1
57	Z587 090.300.00	Welded cover	1
58	Z587 090.320.00	Arm, welded, left-hand	1
59	Z587 090.330.00	Arm, welded, right-hand	1
60	Z587 090.360.00	Bracket, welded	1
61	Z587 090.380.00	Disc, welded	1

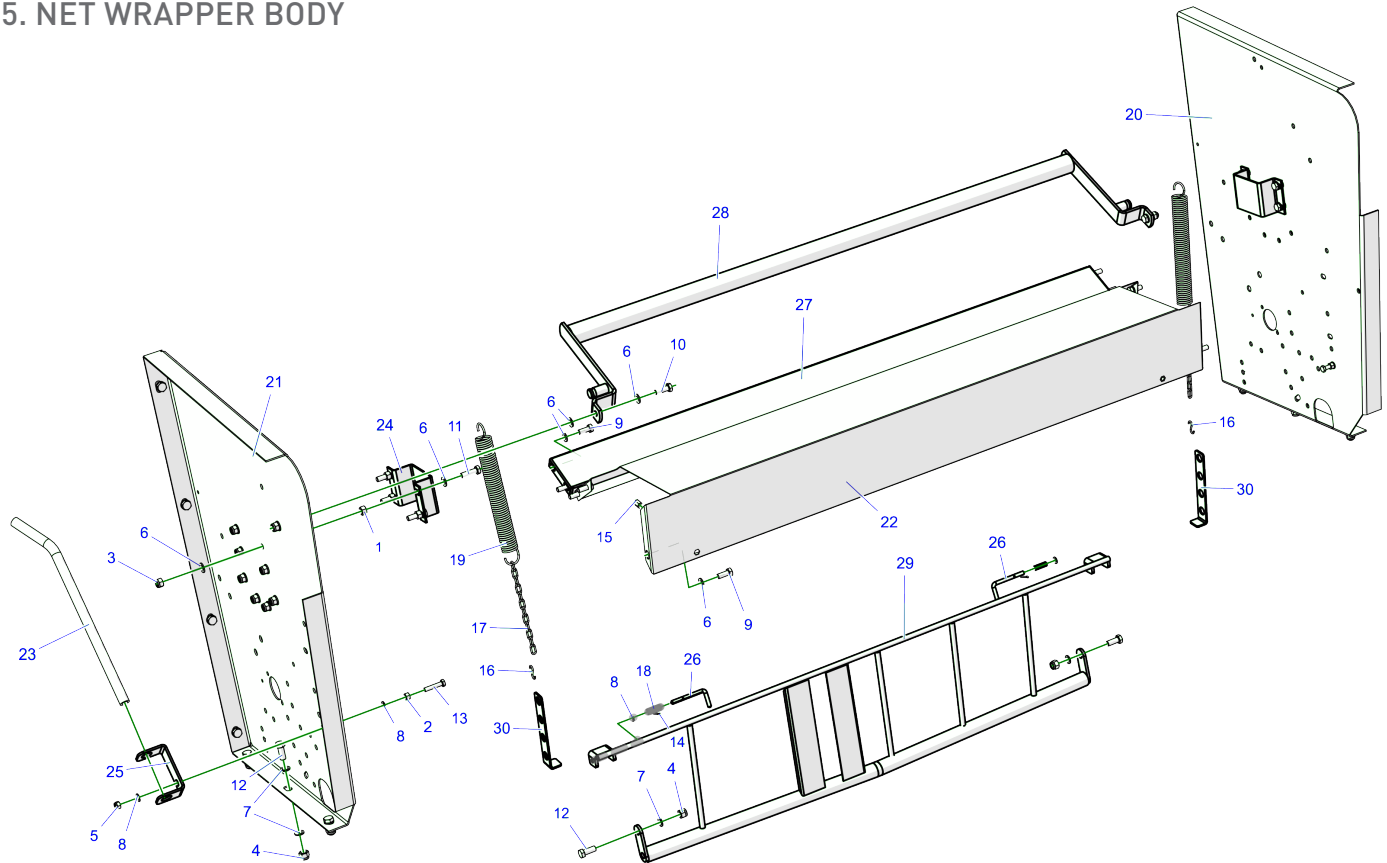
## 24. CORD WRAPPER, REAR



No.	Index/Name	Description	Quantity
1	23N10 OC	Nut, M10 galv. 82144 5	2
2	23NS10 OC	Self-locking nut M10 galv. 82175 8	1
3	23NS6 OC	Self-locking nut M6 galv. 82175 8	7
4	23NS8 OC	Self-locking nut M8 galv. 82175 8	8
5	23P10 82005	Round washer, 10 galv. 82005	1
6	23P600C	Round washer, 6 galv. 82005	4
7	23P800C	Round washer, 8 galv. 82005	8
8	23S10-30 8.8	Bolt, 10x30, BS	1
9	23S6-20	Bolt, 6x20 galv. 82105 8.8	6
10	23S16-40 10.9	Allen bolt, 6x40 BS 10.9 82302 10,9	5

No.	Index/Name	Description	Quantity
11	Z587 090.006.00	Guide plate	1
12	Z587 090.007.00	Cord guide	1
13	Z587 090.016.00	Long slide	1
14	Z587 090.017.00	Long slide, rear	1
15	Z587 090.018.00	Short slide	1
16	Z587 090.019.00	Short slide, rear	1
17	Z587 090.053.02	Blade bracket	1
18	Z587 090.220.00	Sheet, welded, rear	1
19	Z587 090.400.00	Stop, welded	2
20	Z587 090.062.00	Blade	2

## 25. NET WRAPPER BODY

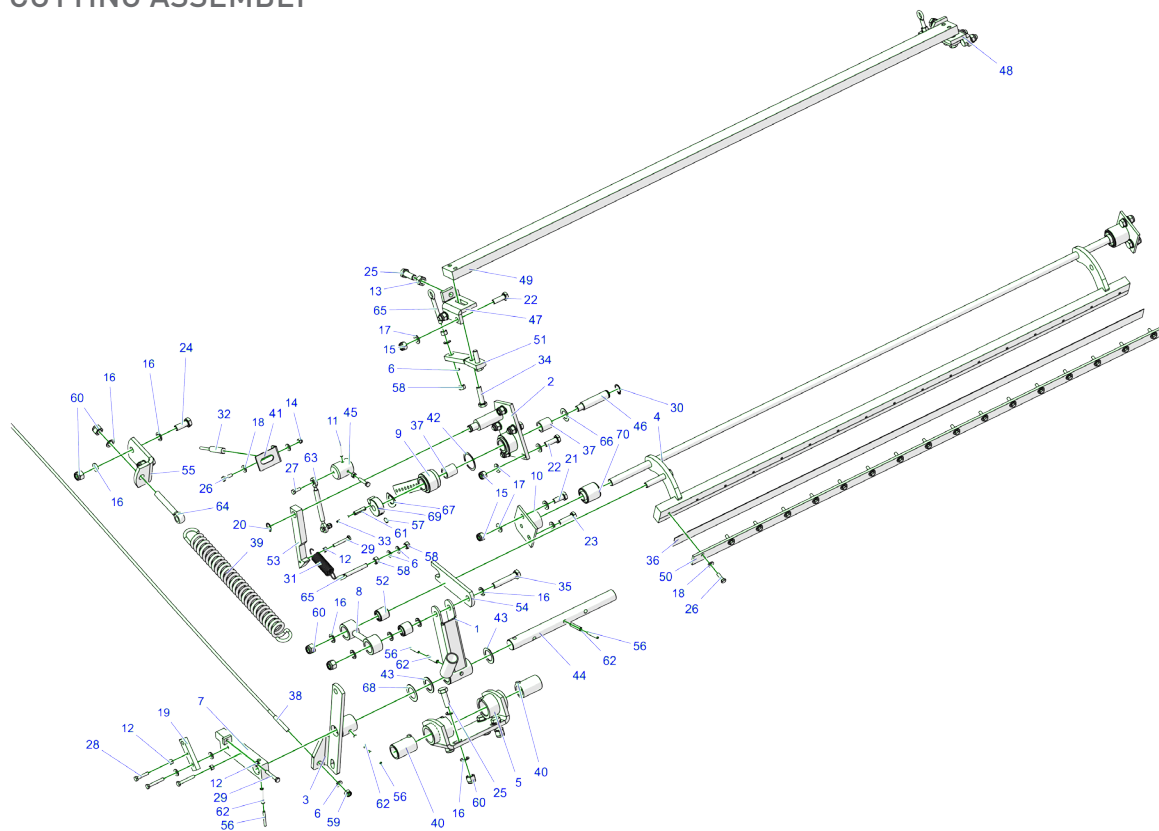




No.	Index/Name	Description	Quantity
1	23N10 OC	Nut, M10 galv. 82144 5	8
2	23N8 OC	Nut, M8 galv. 82144 5	2
3	23NS10 OC	Self-locking nut M10 galv. 82175 8	20
4	23NS12 OC	Self-locking nut M12 galv. 82175 8	16
5	23NS8 OC	Self-locking nut M8 galv. 82175 8	2
6	23P10 82005	Round washer, 10 galv. 82005	42
7	23P12 OC	Round washer, 12 galv. 82005	30
8	23P800C	Round washer, 8 galv. 82005	6
9	23S10-250C 8.8	Bolt, 10x25 galv. 82105	10
10	23S10-300C 8.8	Bolt, 10x30 galv. 82105	2
11	23S10-350C 8.8	Bolt, 10x35 galv. 82105	8
12	23S12-300C 8.8	Bolt, 12x30 galv. 82105	16
13	23S8-400C 8.8	Bolt, 8x40 galv. 82105	2
14	23Z3.2-25 OC	Cotter pin, 3.2x25 galv.	2
15	POD-ELZ-000558	Rivet nut, M8, steel, hex	2

No.	Index/Name	Description	Quantity
16	POD-LAN-000090	Chain fill link "S" 3 mm	2
17	POD-LAN-000094	Small chain, 3 mm	2
18	POD-SPR-000057	Spring, maz-6526 galv.	2
19	POD-SPR-000064	Spring, maz-6529 galv.	2
20	Z587 110.001.01	Net side panel, left-hand	1
21	Z587 110.002.01	Net side panel, right-hand	1
22	Z587 110.009.00	Net channel	1
23	Z587 110.011.00	Lock tube	1
24	Z587 110.060.00	Blacha ograniczająca	2
25	Z587 110.049.00	Holder	1
26	Z587 110.013.00	Pin	2
27	Z587 110.057.00	Guard	1
28	Z587 110.270.00	Net brake assy	1
29	Z587 110.210.00	Spreading frame	1
30	Z587 110.059.00	Spring adjuster panel	2

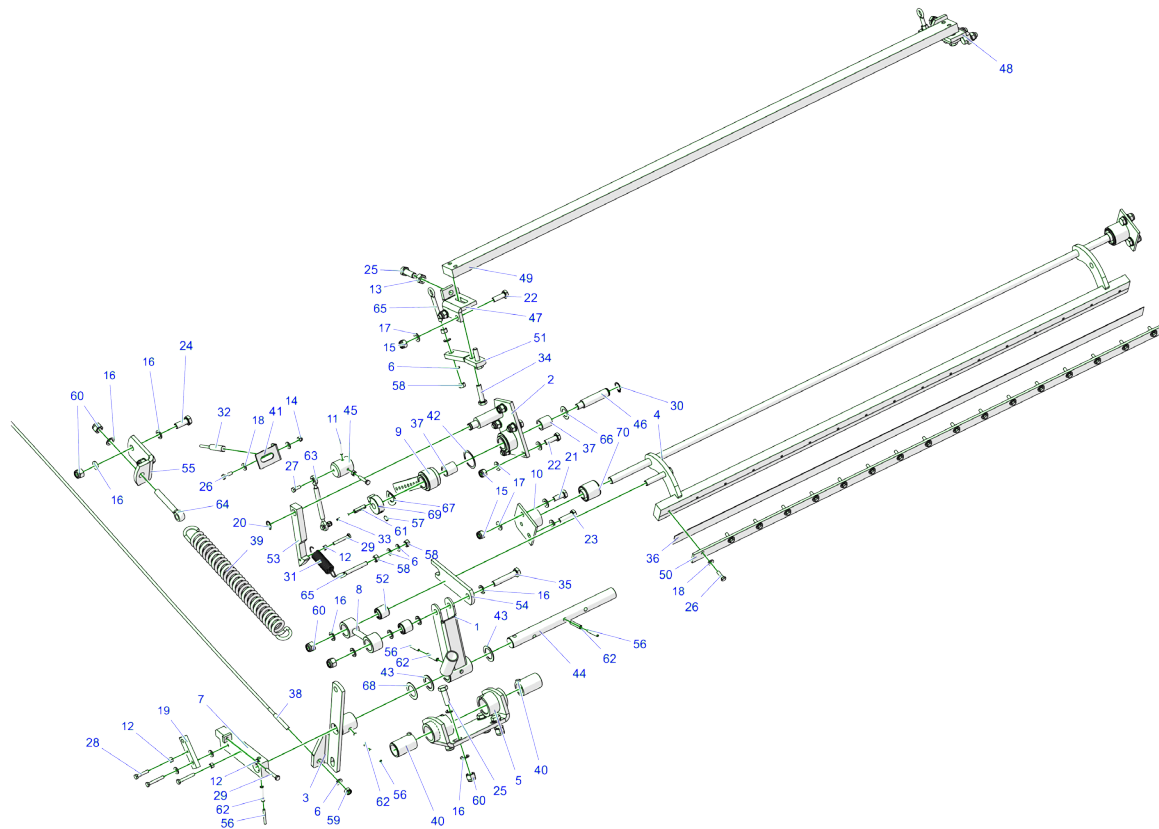
## 26. NET CUTTING ASSEMBLY



No.	Index/Name	Description	Quantity
1	Z587 110.003.00	Blade frame holder	1
2	Z587 110.004.00	Bracket	1
3	Z587 110.005.00	Blade arm	1
4	Z587 110.006.00	Blade frame	1
5	Z587 110.220.00	Level mounting bracket	1
6	23P800C	Round washer, 8 galv. 82005	7
7	Z587 110.250.00	Pawl	1
8	Z587 110.260.00	Connecting rod	1
9	Z587 110.280.00	Adjuster arm	1
10	Z587 110.240.00	Slitblock bracket	2
11	23K6-40	Spring pin, 6x40 DIN 1481	1
12	23N6 OC	Nut, M6 galv. 82144 5	5
13	23N12 OC	Nut, M12 galv. 82144 5	2
14	23NS6 OC	Self-locking nut M6 galv. 82175 8	2
15	23NS10 OC	Self-locking nut M10 galv. 82175 8	13
16	23P12 OC	Round washer, 12 galv. 82005	18
17	23P10 82005	Round washer, 10 galv. 82005	25
18	23P600C	Round washer, 6 galv. 82005	21

No.	Index/Name	Description	Quantity
19	Z587 110.055.00	Flat bar	1
20	23SZ14	Seeger ring Z15	1
21	23S10-250C 8.8	Bolt, 10x25 galv. 82105	3
22	23S10-300C 8.8	Bolt, 10x30 galv. 82105	8
23	23S10-350C 8.8	Bolt, 10x35 galv. 82105	1
24	23S12-300C 8.8	Bolt, 12x30 galv. 82105	2
25	23S12-350C 8.8	Bolt, 12x35 galv. 82105	6
26	23S6-20	Bolt, 6x20 galv. 82105 8.8	18
27	23S6-16 8.80C	Bolt, 6x16 galv. 82105 8.8	2
28	23S6-30 8.8 821050C	Bolt, 6x30 galv. 82105	2
29	23S6-40 OC.	Bolt, 6x40 galv. 82105 8.8	4
30	23SZ18	Seeger ring Z18	1
31	POD-SPR-000060	Spring, maz-6531 galv.	1
32	POD-ELK-000215	Z593 counter induction sensor	1
33	POD-ELZ-000344	Spring pin, 5x30	1
34	POD-ELZ -000045-1	Bolt, 10x40 galv. 82101 8.8	4
35	POD-ELZ -000053-1	Bolt, 12x60 galv. 10.9 82101	1
36	POD-EOS-000366	Blade	1

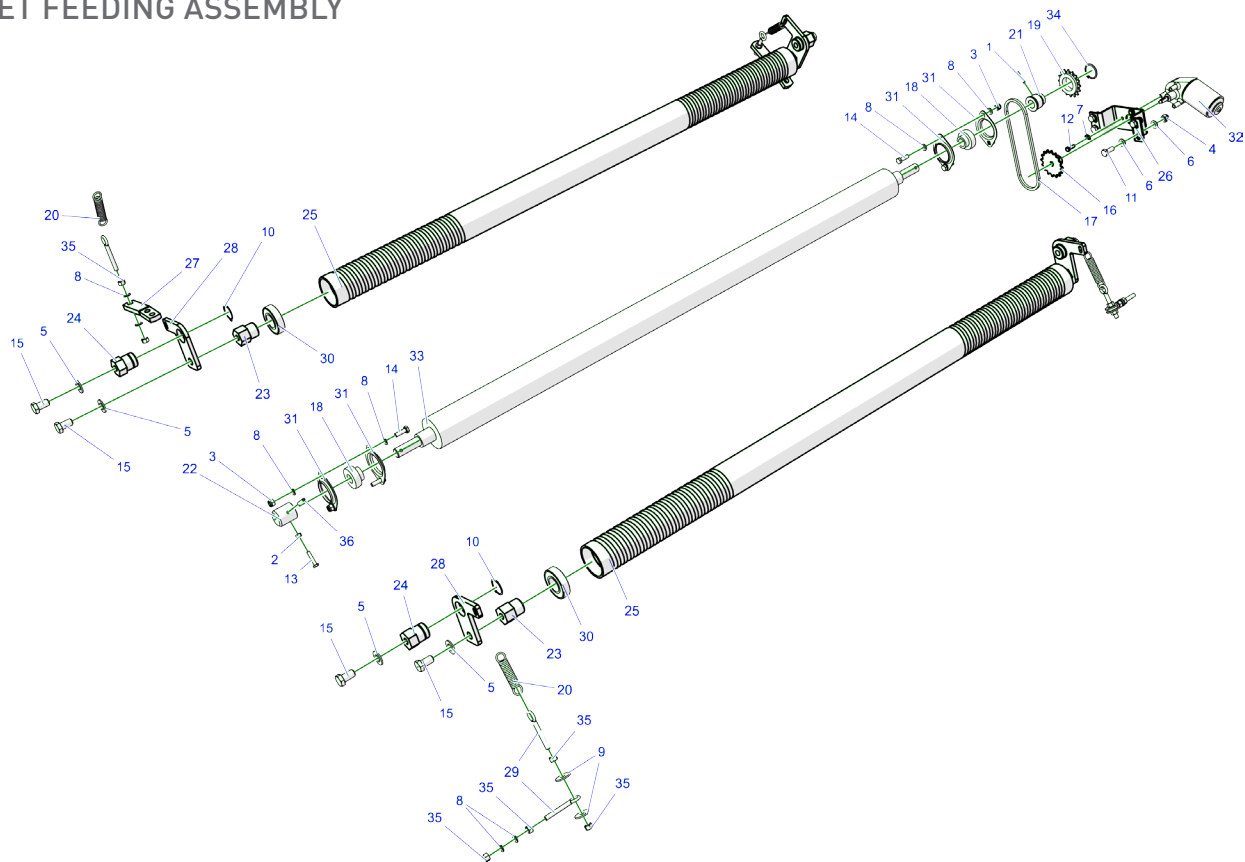
## 26. NET CUTTING ASSEMBLY



No.	Index/Name	Description	Quantity
37	POD-LOZ-000141	Bearing, HFL 1826	2
38	POD-UGL-000412	Steel cable, ZM 165	1
39	POD-SPR-000063	Spring, maz-6528 galv.	1
40	POD-TSZ-000094	Bushing I	2
41	Z587 000.001.00	Sensor bracket	1
42	Z587 000.011.00	Washer	1
43	Z587 000.014.00	Round washer, 25.5x37x2	2
44	Z587 110.007.00	Net roller	1
45	Z587 110.010.00	Bush	1
46	Z587 110.047.00	Spindle	1
47	Z587 110.050.00	Bracket, right-hand	1
48	Z587 110.051.00	Bracket, left-hand	1
49	Z587 110.052.00	Counterblade	1
50	Z587 110.053.00	Blade frame panel II	1
51	Z587 110.054.00	Flat bar	2
52	POD-UGL-000457	Metal-rubber bush 12x26x26	2
53	Z587 110.056.00	Catch	1
54	Z587 110.058.00	Lock	1

No.	Index/Name	Description	Quantity
55	Z587 110.061.00	Spring mounting	1
56	POD-ELZ-000354	Spring pin, 5x40 DIN 1481	4
57	POD-ELZ-000534	Set screw 6x12 galv. 82315 12.9	1
58	23N8 OC	Nut, M8 galv. 82144 5	6
59	23NS8 OC	Self-locking nut M8 galv. 82175 8	1
60	23NS12 OC	Self-locking nut M12 galv. 82175 8	9
61	POD-ELZ-000539	Spring pin, 8x30 DIN 1481	1
62	POD-ELZ-000540	Spring pin, 8x40 DIN 1481	4
63	POD-ELZ-000545	Ball-and-socket joint, M6-DX	1
64	POD-ELZ-000546	Eye bolt, 12x70 DIN444 LB galv.	1
65	POD-ELZ-000547	Eye bolt, 8x60 DIN444 B galv.	3
66	POD-ELZ-000556	Spacer washer, 18.5 30 1	1
67	POD-ELZ-000559	Corrugated washer, 18 DIN 137 B	1
68	POD-ELZ-000720	Spacer washer, 25x35x1 56805036010120	1
69	Z587 110.230.00	Cam	1
70	POD-UGL-000458	Metal-rubber bush 16x36x39	2

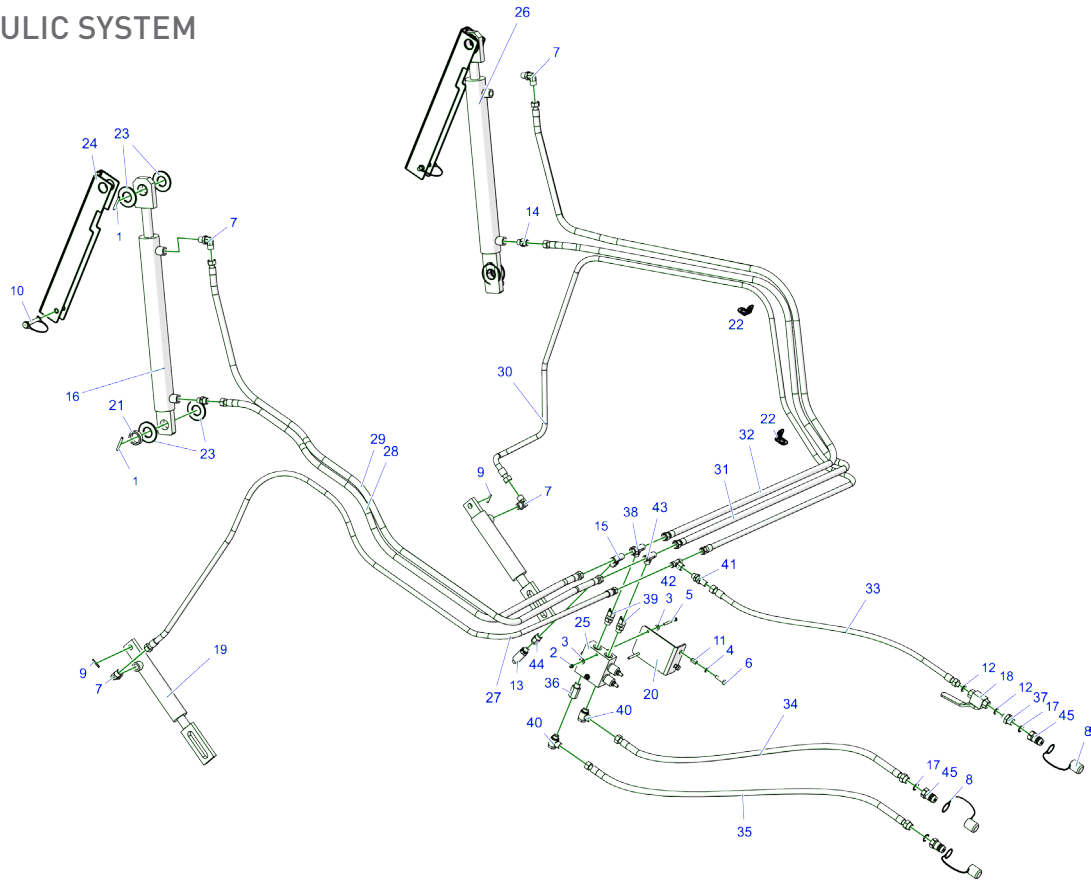
## 27. NET FEEDING ASSEMBLY



No.	Index/Name	Description	Quantity
1	23K6-30	Spring pin, 6x30 DIN 1481	1
2	23N6 OC	Nut, M6 galv. 82144 5	1
3	23NS8 OC	Self-locking nut M8 galv. 82175 8	4
4	23NS10 OC	Self-locking nut M10 galv. 82175 8	4
5	23P14 OC	Round washer, 14 galv. 82005	8
6	23P10 82005	Round washer, 10 galv. 82005	10
7	23P600C	Round washer, 6 galv. 82005	3
8	23P800C	Round washer, 8 galv. 82005	16
9	23P8 OC 82030	Flat washer	7
10	23SZ30	Seeger ring Z30	4
11	23S10-250C 8.8	Bolt, 10x25 galv. 82105	4
12	23S6-20	Bolt, 6x20 galv. 82105 8.8	3
13	23S6-30 8.8 821050C	Bolt, 6x	2
14	23S8-250C8.8	Bolt	7
15	POD-ELZ-000523	Bolt, 14x25 galv. 8.8 82105	8
16	POD-EOS-000339	Chain wheel, Z=16 1/2"-1/8"	1
17	POD-LAN-000069	Chain, 1/2x1/8 40 links	1
18	POD-LOZ-000154	Bearing, SB 204	2

No.	Index/Name	Description	Quantity
19	POD-OGL-000411	Slow gear, Z16	1
20	POD-SPR-000061	Spring, maz-6532 galv.	4
21	Z587 110.008.00	Hub	1
22	Z587 110.010.00	Bush	1
23	Z587 110.044.00	Bearing journal	4
24	Z587 110.045.00	Bearing journal	4
25	Z587 110.046.00	Spreading tube	2
26	Z587 110.048.00	Motor console	1
27	Z587 110.054.00	Flat bar	2
28	Z587 110.062.00	Sheet I	4
29	POD-ELZ-000547	Eye bolt, 8x60 DIN444 B galv.	6
30	POD-LOZ-000169	Bearing, 6206 2RS	4
31	POD-LOZ-000214	Mount, P204 PF47	4
32	POD-OGL-000413	Electrical motor	1
33	POD-OGL-000415	Rubber roller	1
34	23SZ35	Seeger ring, z35	1
35	23N8 OC	Nut, M8 galv. 82144 5	12
36	23K6-40	Spring pin, 6x40 DIN 1481	1

## 28. HYDRAULIC SYSTEM

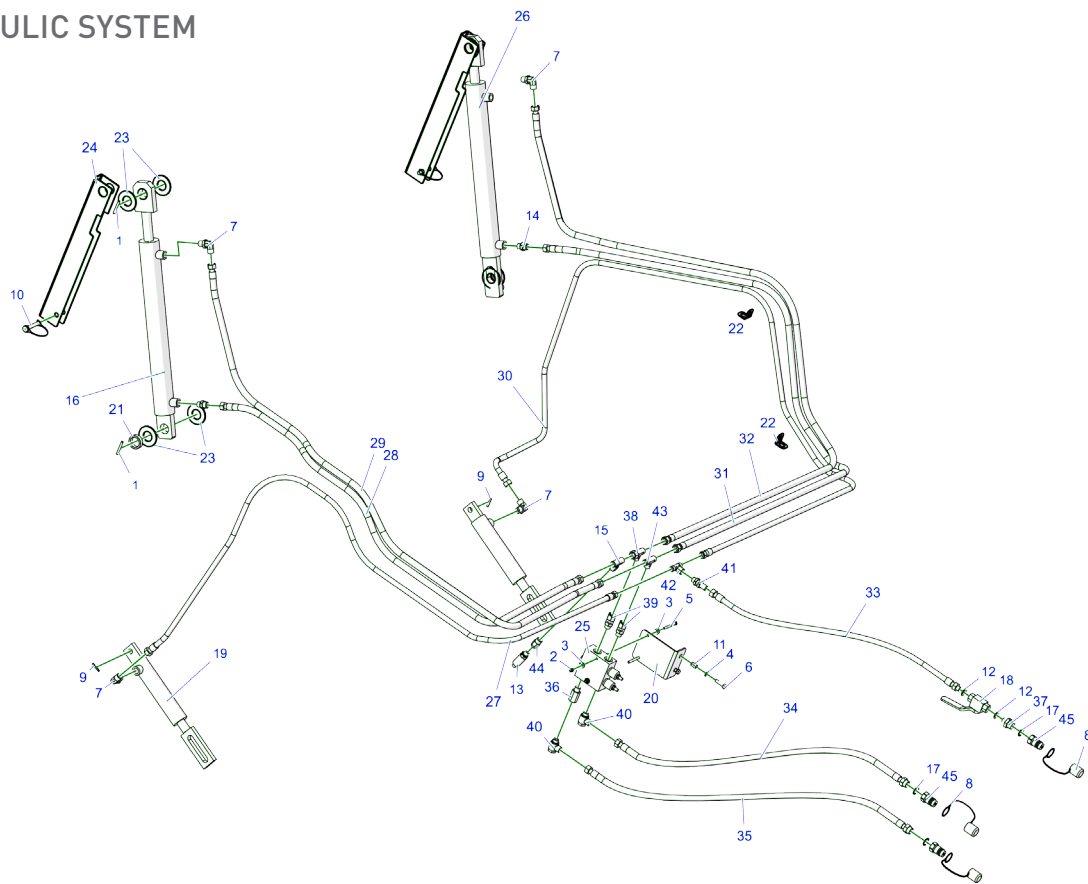




No.	Index/Name	Description	Quantity
1	23K6-45	Spring pin, 6x45 DIN 1481	4
2	23NS6 OC	Self-locking nut M6 galv. 82175 8	2
3	23P600C	Round washer, 6 galv. 82005	4
4	23P800C	Round washer, 8 galv. 82005	2
5	23S6-600C 8.8	Bolt, 6x60 galv. 82101 8.8	2
6	23S8-300C 8.8	Bolt, 8x30 galv. 82105	2
7	24KK16-18	Elbow coupling, 16/18 [B+nut/B]	4
8	24ZWNE13	EURO 13 plug valve adapter (green, yellow, blue, red)	3
9	POD-ELZ-000344	Spring pin, 5x30	2
10	POD-ELZ-000543	Square pin 10x60 A-9.8 C-70	2
11	POD-ELZ-000558	Rivet nut, M8, steel, hex	2
12	POD-HPZ-000121	O-ring, PPM 1/4"	2
13	POD-HPZ-000180	Pressure transmitter PT250R-14-LI3-H1131	1
14	POD-HKR-000078	Straight connector 16x1.5-18x1.5	2
15	POD-HKR-000002-1	Tee connector, symmetric 18x18x18-1.5 w/top nut	1
16	POD-HSL-000144	Actuator, UCJ349-50/28/400	1
17	POD-HPZ-000044-1	O-ring, PPM 1/2"	3

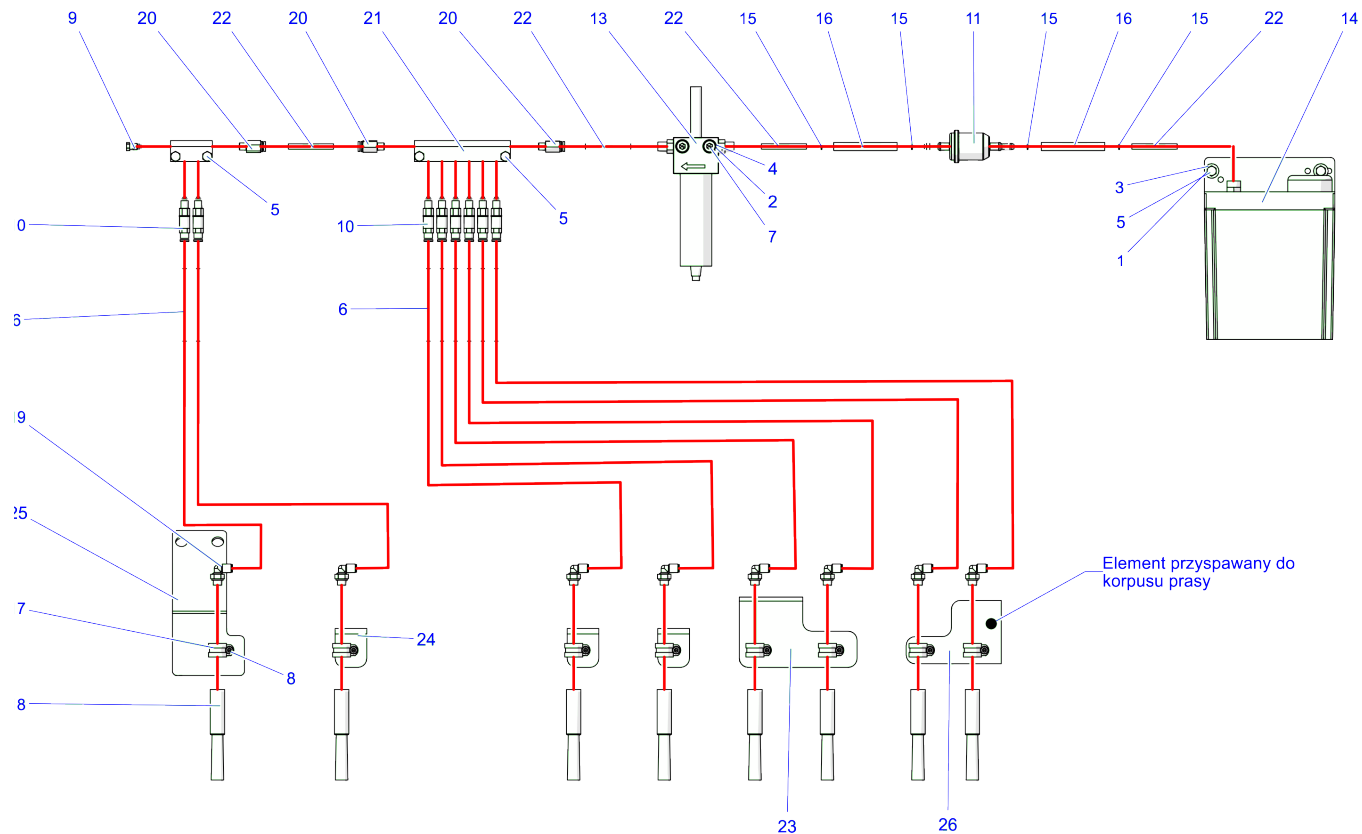
No.	Index/Name	Description	Quantity
18	POD-HZW-000052	Ball valve, RS2 1/4"	1
19	24SCN08-18-25-130	Cylinder assy, 25/130	2
20	Z587 000.003.00	Directional control valve support	1
21	Z587 050.043.00	Spacer bush	2
22	Z587 000.018.00	Wiring base plate	2
23	Z587 000.009.00	Washer, 30x61.5x3	8
24	Z587 000.017.00	Actuator lock	2
25	pod-hzw-000077	Valve, ZS-105	1
26	POD-HSL-000143	Actuator, UCJ350-50/28/400	1
27	POD-HPR-000506 Line 2	Hydraulic line, AA/222/6 L-3000	1
28	POD-HPR-000506 Line 6	Hydraulic line, AA/211/10 L-1900	1
29	POD-HPR-000506 Line 7	Hydraulic line, AA/211/10 L-2300	1
30	POD-HPR-000506 Line 3	Hydraulic line, AA/222/6 L-3000	1
31	POD-HPR-000506 Line 8	Hydraulic line, AA/211/10 L-2300	1
32	POD-HPR-000506 Line 9	Hydraulic line, AA/211/10 L-2800	1
33	POD-HPR-000506 Line 1	Hydraulic line, AC21/22_/6 L-2500 1/4"-fer	1
34	POD-HPR-000506 Line 4	Hydraulic line, AC21/212/10 L-2500	1
35	POD-HPR-000506 Line 5	Hydraulic line, AC21/212/10 L-2500	1

## 28. HYDRAULIC SYSTEM



No.	Index/Name	Description	Quantity
36	POD-HKR-000105	Reducer coupling, 3/8" male-3/8" female L-46mm	1
37	POD-HKR-000106	Straight coupling, choke 1/2"-1/4"	1
38	POD-HKR-000110	Tee-connector, 18x18x18 12L	1
39	POD-HKR-000111	Straight connector, 3/8" - Ø12 tube (connector, AB 3/8EDx18)	2
40	POD-HKR-000112	Banjo connector, 3/8" male 18x1.5	2
41	POD-HKR-000113	Straight partition coupling, M16x1.5 + nut	1
42	POD-HKR-000123	Tee-connector, symmetric 16x16x16 10L (screw-on top)	1
43	POD-HKR-000124	Tee-connector, 18x18x18 12L	1
44	POD-HKR-000135	Pressure gauge connector, 1/4", male M18x1.5 male L-30	1
45	POD-HZW-000053	Euro 13 valve-plug female 1/2" + adapter	3

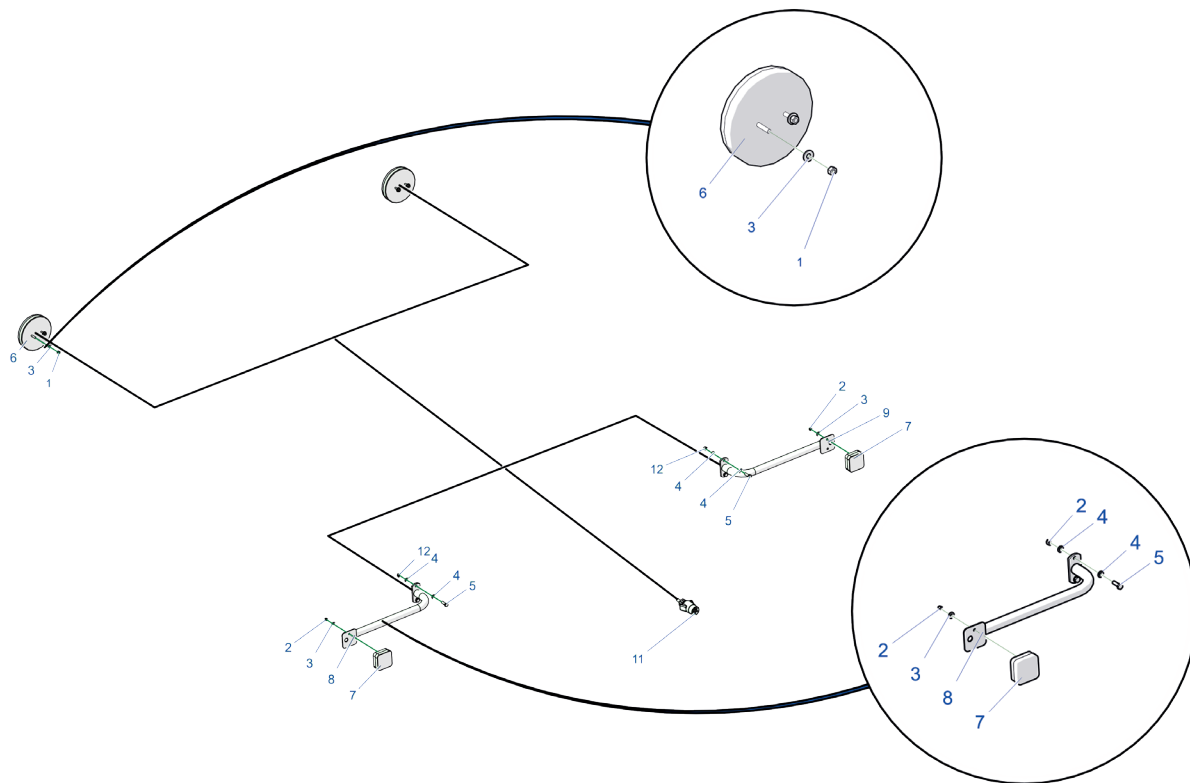
## 29. CENTRAL LUBRICATION SYSTEM



No.	Index/Name	Description	Quantity
1	23NS6 OC	Self-locking nut M6 galv. 82175 8	2
2	23ns8oc	Self-locking nut M8 galv. 82175 8	2
3	23P600C	Round washer, 6 galv. 82005	4
4	23p8ooc	Round washer, 8 galv. 82005	2
5	23S6-250C 105	Bolt, 6x25 galv. 8.8 82105	6
6	24P4	Plastic conduit Ø4x2 PA6 - central lubrication	8
7	POD-ELZ-000531	Allen bolt, 8x50 galv. 8.8 82302	2
8	POD-ELZ-000723	Allen bolt, 5x14 galv. 82302 8.8	8
9	POD-OGL-000494	Central lubric., Z587, stop plug, 05.001.0	1
10	POD-OGL-000496	Central lubric., Z587, dosing nozzle	8
11	POD-OGL-000498	Central lubric., Z587, oil filter	1
12	POD-OGL-000501	Central lubric., Z587, DCV 01.040.0	1
13	POD-OGL-000508	Central lubric., Z587, pump	1
14	POD-OGL-000509	Central lubric., Z587, oil tank	1

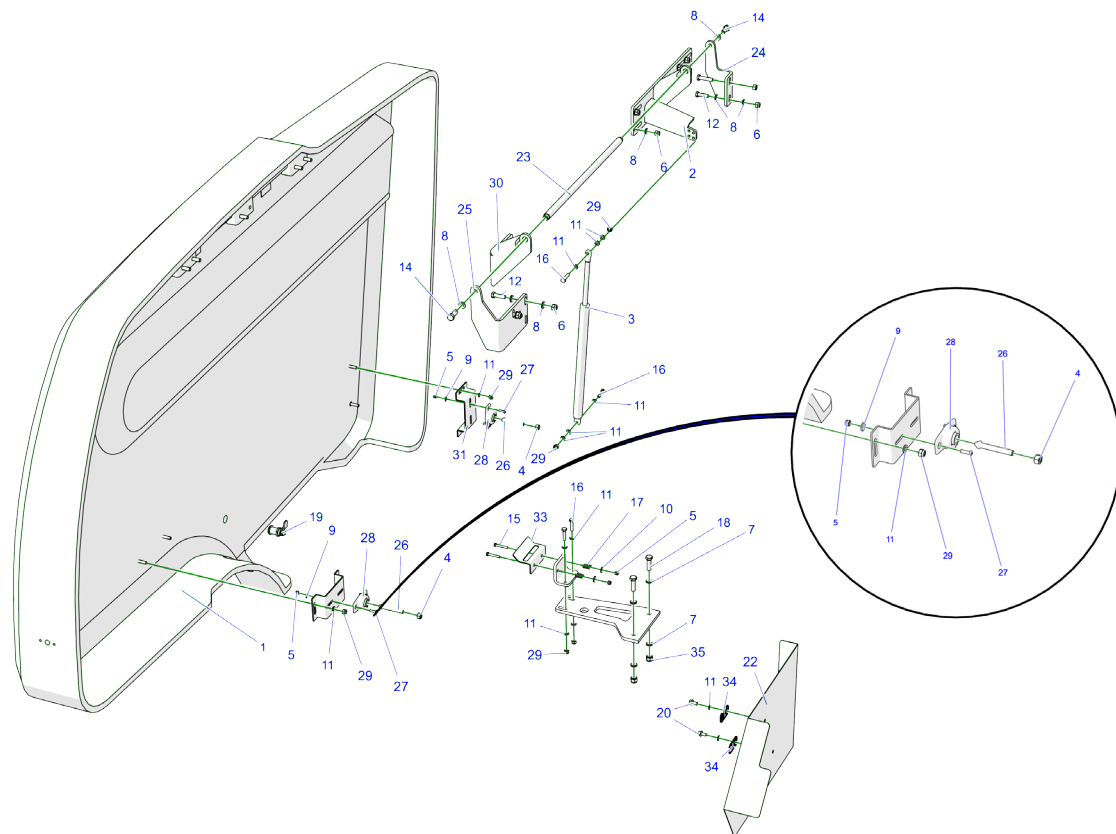
No.	Index/Name	Description	Quantity
15	POD-OGL-000588	Central lubric., Z587, spring clip 8.3x8.8 mm	4
16	POD-OGL-000600	Central lubric., Z587, Nylon tube Ø 6x1.5 (7cm)	2
17	POD-OGL-000767	Pipe tie w/rubber P-CLIP 16x12	8
18	POD-OGL-000768	Lubricating brush, Nylon, Ø 15 mm, R1/8" 14.000.8	8
19	POD-OGL-000769	Plastic connector, grey, w/seal on tapped joint, 03.255.7	8
20	POD-OGL-000771	Straight coupling, line, 6 03.257.6	3
21	POD-OGL-000773	Choke block, single, x6 01.080.0	1
22	POD-OGL-000774	Lube line, 6.0x1.5, black bs. 30.115.0	4
23	Z587 000.004.00	Wspornik c.s. II	1
24	Z587 000.005.00	Wspornik c.s. III	3
25	Z587 000.006.00	Wspornik c.s. IV	1
26	Z587 020.050.00	Wspornik c.s. I	1

## 30. LAMPS



No.	Index/Name	Description	Quantity
1	23N6 OC	Nut, M6 galv. 82144 5	4
2	23NS6 OC	Self-retaining nut, M6 galv. 82175 8	4
3	23P600C	Round washer, 6 galv. 82005	8
4	23P800C	Round washer, 8 galv. 82005	8
5	23S8-250C8.8	Bolt, 8x25 galv. 82105	4
6	POD-ELK-000308	Tail cluster lamp, W95 (744) w/ wire: 200cm YLY-S 4x0.75mm	2
7	POD-ELK-000011-1	Square clearance lamp w/reflec- tive light LO 093	2
8	Z587 130.210.00	Front lamp bracket	1
9	Z587 130.210.00	Front lamp bracket	1
10	Z587 130.002.00	Bracket sheet plate	2
11	Connector plug, 7-pin		1
12	23NS8 OC	Self-retaining nut, M8 galv. 82175 8	4

## 31. GUARD, LEFT-HAND

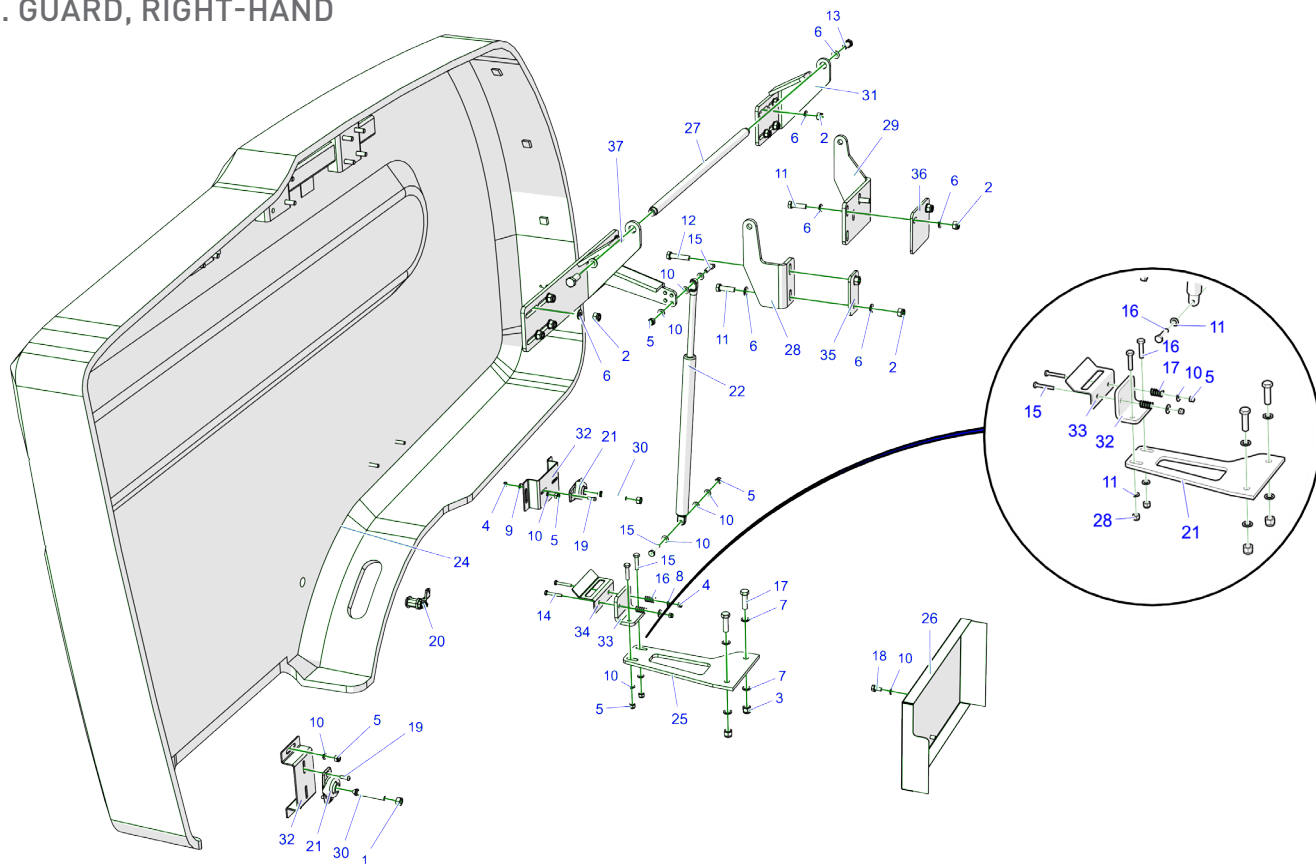




No.	Index/Name	Description	Quantity
1	POD-TSZ-000174 L	Left guard	1
2	Z587 100.280.01	Hinge I, left-hand	1
3	POD-OGL-000719	Gas spring, 31249	1
4	23N10 OC	Nut, M10 galv. 82144 5	3
5	23NS6 OC	Self-locking nut M6 galv. 82175 8	6
6	23NS10 OC	Self-locking nut M10 galv. 82175 8	13
7	23P12 OC	Round washer, 12 galv. 82005	4
8	23P10 82005	Round washer, 10 galv. 82005	19
9	23P600C	Round washer, 6 galv. 82005	4
10	23P6 OC 030	Round washer, 6 galv. coat. 82030	2
11	23P800C	Round washer, 8 galv. 82005	15
12	23S10-350C 8.8	Bolt, 10x35 galv. 82105 82105	3
13	23S10-450C	Bolt, 10x45 galv. 82105	1
14	23S12-300C 8.8	Bolt, 12x30 galv. 82105	2
15	23S6-40 OC.	Bolt, 6x40 galv. 82105 8.8	2
16	23S8-350C 8.8	Bolt, 8x35 galv. 82105	4
17	23SS1-15-25	Spring, maz-1788	2
18	POD-ELZ-000421	Bolt, 12x40 galv. 10.9 82105	2

No.	Index/Name	Description	Quantity
19	POD-OGL-000715	Lock, covers, IP65 468358 w/key, 468505	1
20	POD-ELZ-000565	Self-tap screw, 8x16 galv. DIN 7500D - Hex	3
21	Z587 050.027.01	Bottom bracket	1
22	Z587 100.011.01	Collector guard	1
23	Z587 100.033.00	Hinge rod	1
24	Z587 100.034.01	Bracket I left	1
25	Z587 100.035.01	Bracket II left	1
26	Z587 100.038.00	Locating pin	2
27	POD-ELZ-000572	Allen bolt w/mushroom head, 6x20 galv. 8.8	4
28	POD-OGL-000716	Door locating piece, 25.37814C0 & 25.37814BU	2
29	23NS8 OC	Self-retaining nut, M8 galv. 82175 8	7
30	Z587 100.044.01	Hinge II, left-hand	1
31	Z587 100.046.01	Retaining piece bracket	2
32	Z587 100.047.00	Lock console	1
33	Z587 100.048.00	Lock pawl	1
34	Z587 000.018.00	Wiring base plate	2
35	23NS12 OC	Self-locking nut M12 galv. 82175 8	2

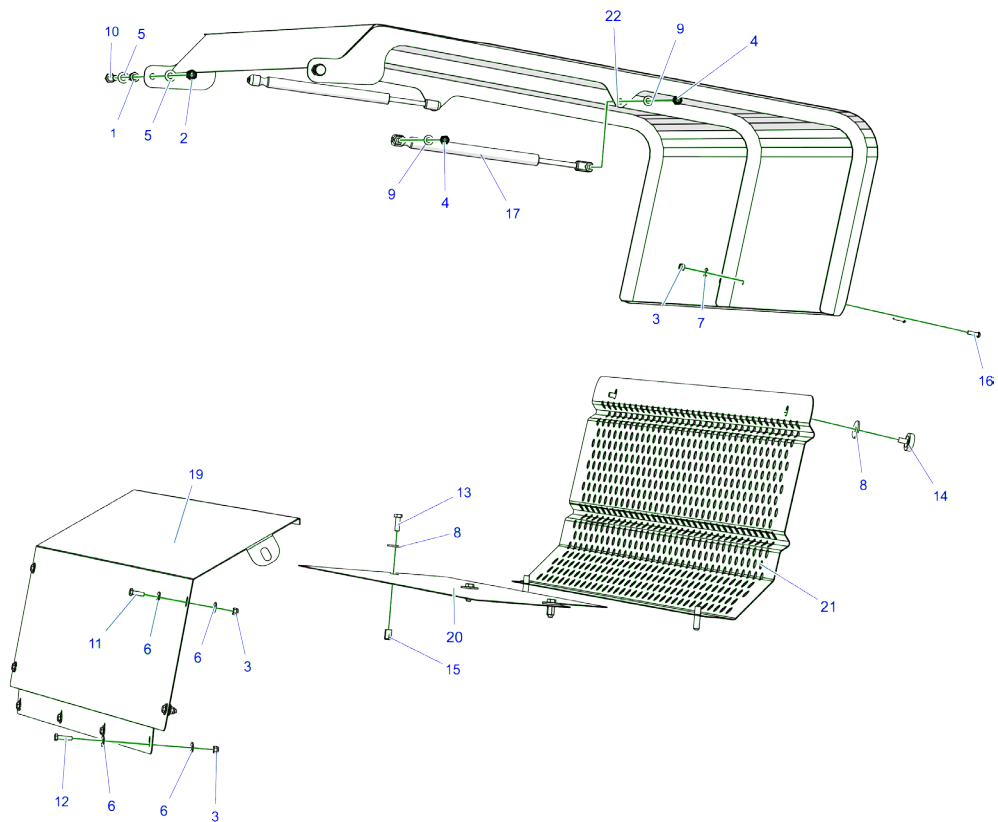
## 32. GUARD, RIGHT-HAND



No.	Index/Name	Description	Quantity
1	23N10 OC	Nut, M10 galv. 82144 5	3
2	23NS10 OC	Self-locking nut M10 galv. 82175 8	13
3	23NS120C	Self-locking nut M12 galv. 82175 8	2
4	23NS60C	Self-locking nut M6 galv. 82175 8	6
5	23NS80C	Self-locking nut M8 galv. 82175 8	8
6	23P10 82005	Round washer, 10 galv. 82005	20
7	23P120C	Round washer, 12 galv. 82005	4
8	23P6 OC 030	Round washer, 6 galv. coat. 82030	2
9	23P600C	Round washer, 6 galv. 82005	4
10	23P800C	Round washer, 8 galv. 82005	17
11	23S10-350C 8.8	Bolt, 10x35 galv. 82105	3
12	23S10-450C	Bolt, 10x45 galv. 82105	1
13	23S12-300C 8.8	Bolt, 12x30 galv. 82105	2
14	23S6-40 OC.	Bolt, 6x40 galv. 82105 8.8	2
15	23S8-350C 8.8	Bolt, 8x35 galv. 82105	4
16	23SS1-15-25	Spring, maz-1788	2
17	POD-ELZ-000421	Bolt, 12x40 galv. 10.9 82105	2
18	POD-ELZ-000565	Self-tap screw, 8x16 galv. DIN 7500D - hex	3

No.	Index/Name	Description	Quantity
19	POD-ELZ-000572	Allen bolt w/mushroom head, 6x20 galv. 8.8	4
20	POD-UGL-000715	Lock, covers, IP65 468358 w/key, 468505	1
21	POD-UGL-000716	Door locating piece, 25.37814CO & 25.37814BU	2
22	POD-UGL-000719	Gas spring, 31249	1
23	POD-UGL-000719_2	Gas spring, 31249	1
24	POD-TSZ-000174 P	Guard, right-hand	1
25	Z587 050.040.00	Bottom bracket	1
26	Z587 100.010.01	Drive assy guard II	1
27	Z587 100.033.00	Hinge rod	1
28	Z587 100.036.01	Bracket I left	1
29	Z587 100.037.01	Bracket II right	1
30	Z587 100.038.00	Locating pin	2
31	Z587 100.045.01	Hinge II, right-hand	1
32	Z587 100.046.01	Retaining piece bracket	2
33	Z587 100.047.00	Lock console	1
34	Z587 100.048.00	Lock pawl	1
35	Z587 100.050.00	Washer I	1
36	Z587 100.051.00	Washer II	1
37	Z587 100.290.01	Hinge I, right-hand	1

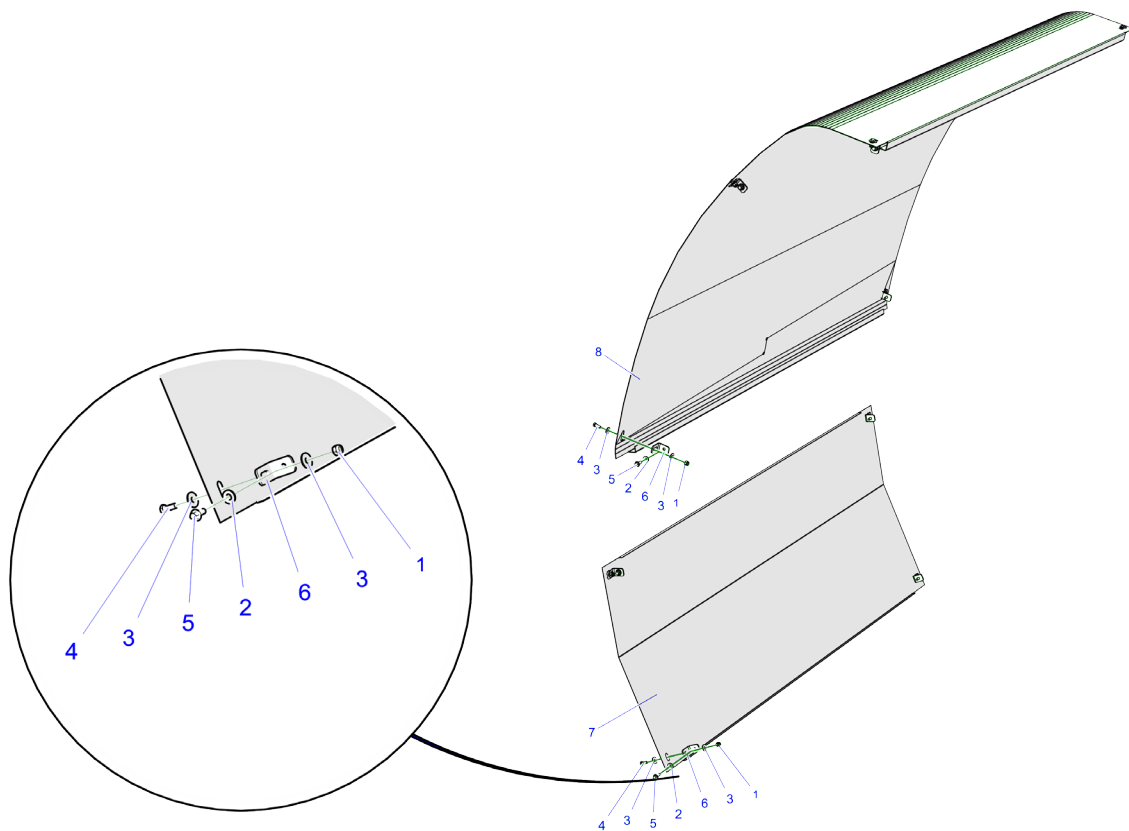
### 33. FRONT GUARDS



No.	Index/Name	Description	Quantity
1	23N10 OC	Nut, M10 galv. 82144 5	2
2	23NS10 OC	Self-locking nut M10 galv. 82175 8	2
3	23NS6 OC	Self-locking nut M6 galv. 82175 8	10
4	23NS8 OC	Self-locking nut M8 galv. 82175 8	4
5	23P10 82005	Round washer, 10 galv. 82005	4
6	23P6 OC 030	Round washer, 6 galv. coat. 82030	16
7	23P600C	Round washer, 6 galv. 82005	2
8	23P8 OC 82030	Round washer, 8 galv. coat. 82030	5
9	23P800C	Round washer, 8 galv. 82005	4
10	23S10-450C	Bolt, 10x45 galv. 82105	2

No.	Index/Name	Description	Quantity
11	23S6-20	Bolt, 6x20 galv. 82105 8.8	4
12	23S6-250C 105	Bolt, 6x25 galv. 8.8 82105	4
13	23S8-250C8.8	Bolt, 8x25 galv. 82105	3
14	POD-ELZ-000552	Knurled knob, M8x15 f26	2
15	POD-ELZ-000558	Rivet nut, M8, steel, hex	3
16	POD-ELZ-000572	Allen bolt w/mushroom head, 6x20 galv. 8.8	2
17	POD-UGL-000721	Gas spring, 21986	2
19	Z587 020.030.01	Guard	1
20	Z587 100.009.00	Gearbox guard	1
21	Z587 100.240.00	Front guard, welded	1
22	Z587 100.270.00	Gate, welded	1

## 34. REAR GUARDS



No.	Index/Name	Description	Quantity
1	23NS6 0C	Self-locking nut M6 galv. 82175 8	10
2	23P600C	Round washer, 6 galv. 82005	10
3	23P6 0C 030	Round washer, 6 galv. coat. 82030	20
4	23S6-16 8.80C	Bolt, 6x16 galv. 82105 8.8	10
5	POD-ELZ-000513	Self-tap screw, 6x16 galv. DIN 7500D - hex	10
6	Z587 000.002.01	Rear guard support	10
7	Z587 100.007.00	Rear guard 2	1
8	Z587 100.008.01	Rear guard 1	1

SALES **METAL-FACH**<sup>®</sup>

16-100 Sokółka, ul. Kresowa 62,  
Phone +48 85 711 07 88,  
Fax: +48 85 711 07 89  
handel@metalfach.com.pl

TECHNICAL SERVICE **METAL-FACH**<sup>®</sup>

16-100 Sokółka, ul. Kresowa 62,  
Phone: +48 85 711 07 80,  
Fax: +48 85 711 07 93,  
serwis@metalfach.com.pl

WHOLESALE, SPARE PARTS **METAL-FACH**<sup>®</sup>

16-100 Sokółka, ul. Kresowa 62,  
Phone: +48 85 711 07 81,  
Fax: +48 85 711 07 93,  
hurtownia@metalfach.com.pl

**METAL-FACH**<sup>®</sup>

METAL-FACH » SP. Z O. O.; UL. KRESOWA 62; 16-100 SOKÓŁKA